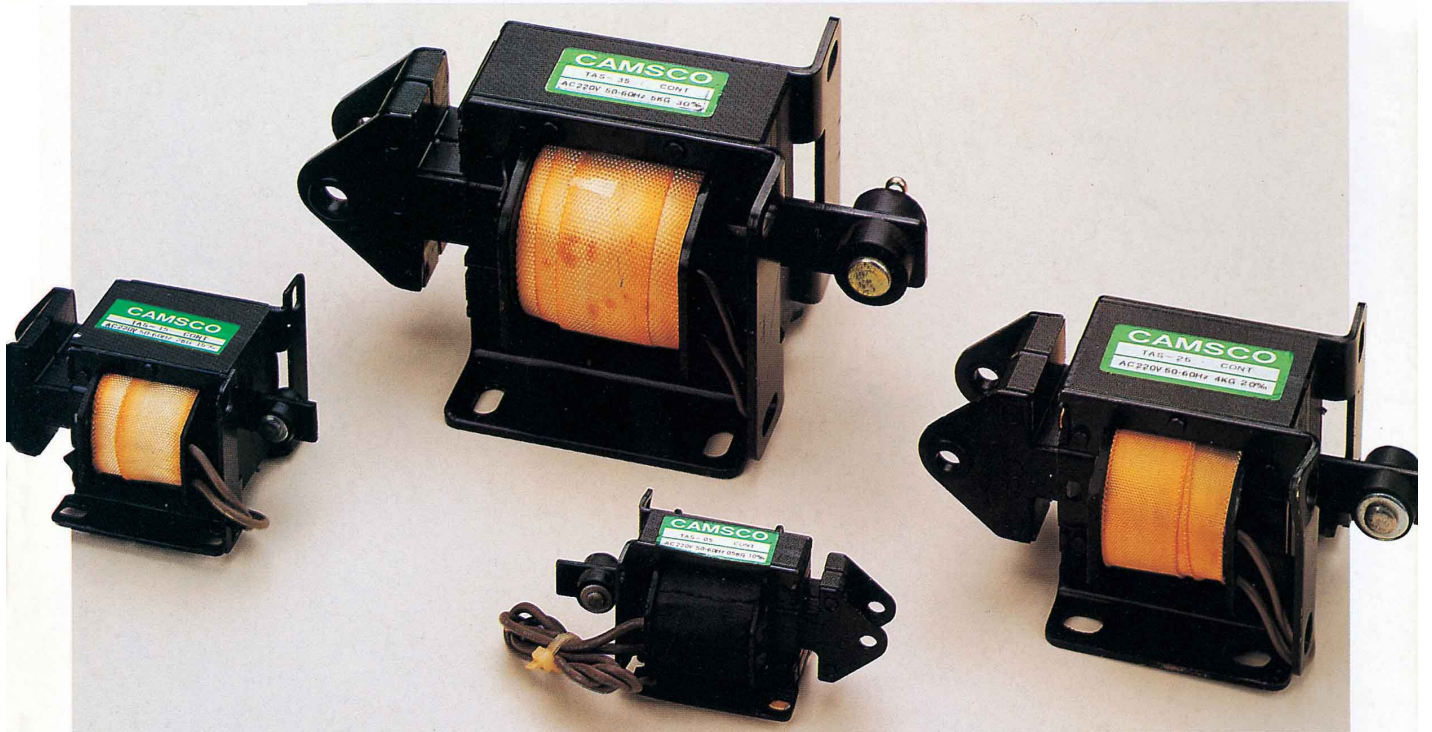




AC SOLENOIDS

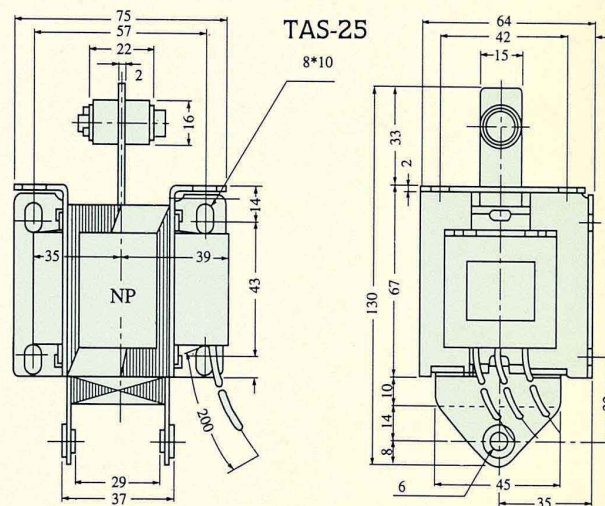
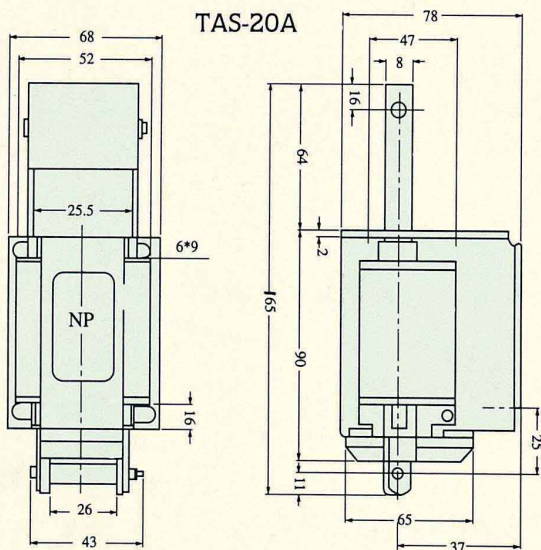
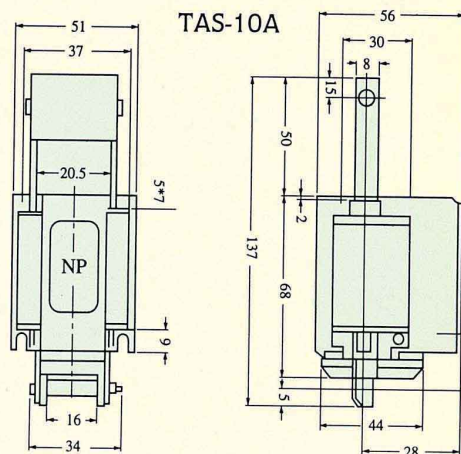
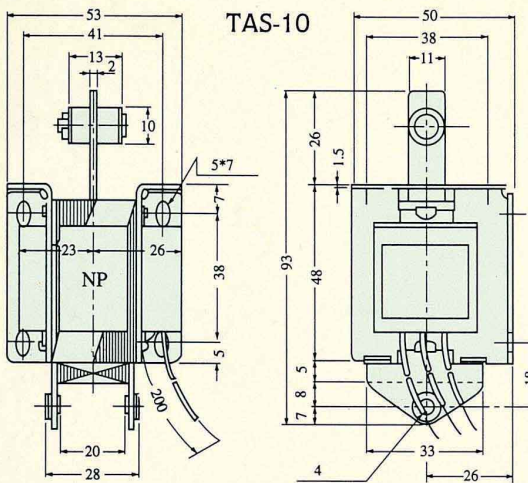
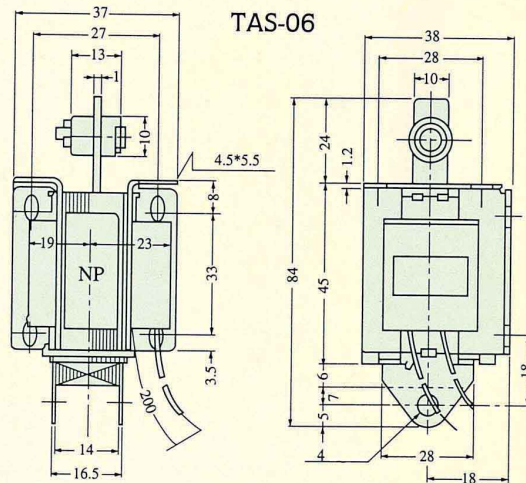
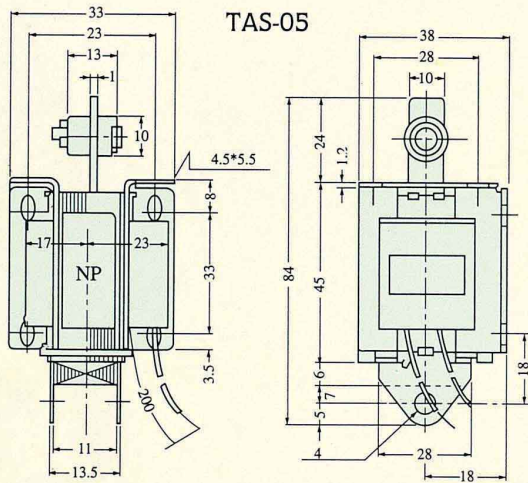


specification

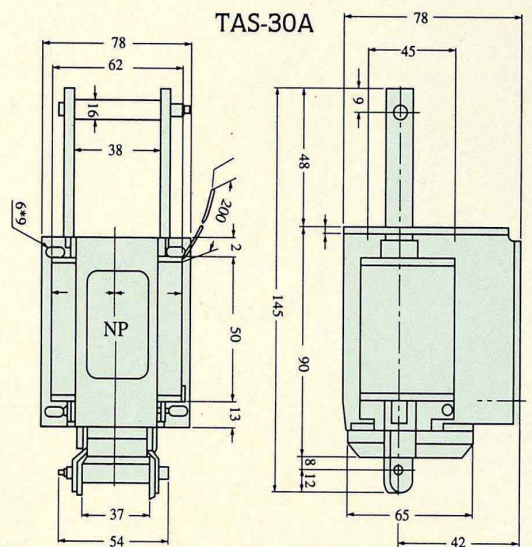
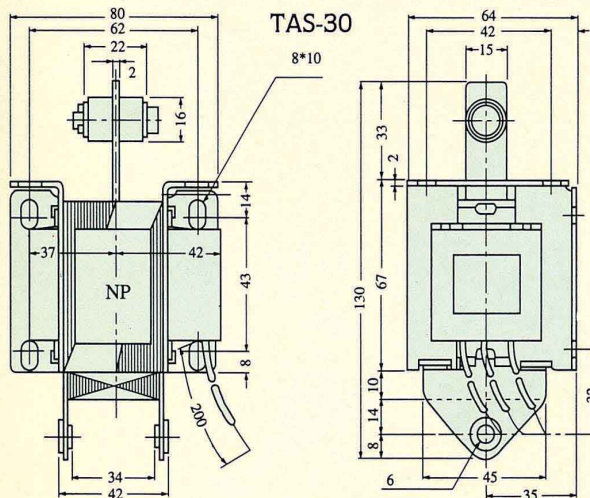
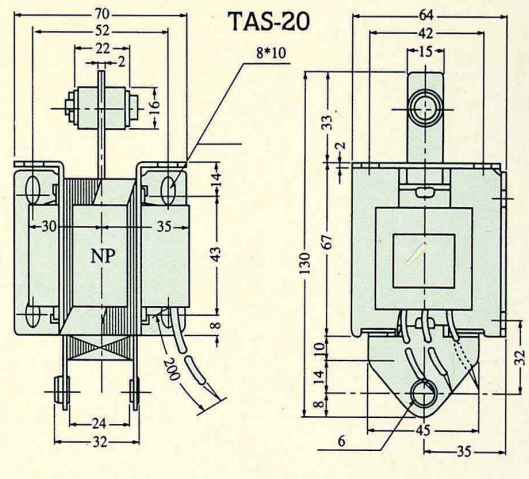
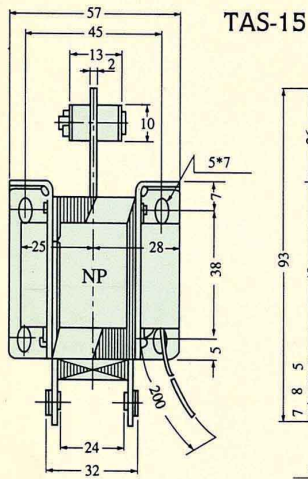
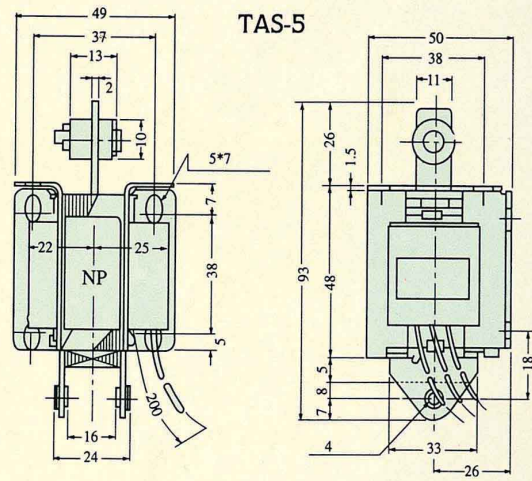
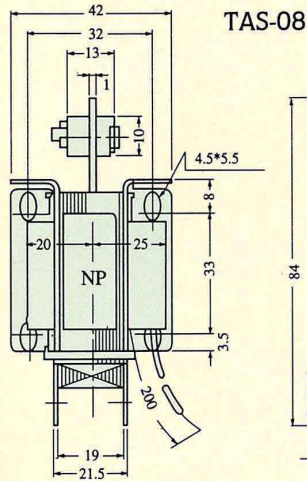
MODEL NO	PUSH OR PULL	RATED STROKE (mm)	RATED PULL (kg)	RATED SERVICE	RATED VOLTAGE (AC)	RATED CYCLES	L*W*H	PLUNGER WEIGHT (kg)	TOTAL WEIGHT (kg)
TAS-05	Push-Pull Combined	10	0.5	Continuous	110 or 220	50/60Hz	84x33x38	Approx. 0.062	Approx. 0.20
TAS-06		10	0.6	Continuous	110 or 220	50/60Hz	84x37x38	0.075	0.25
TAS-08		10	0.8	Continuous	110 or 220	50/60Hz	84x42x38	0.095	0.30
TAS-5		15	1	Continuous	110 or 220	50/60Hz	93x49x50	0.114	0.40
TAS-10		15	1.5	Continuous	110 or 220	50/60Hz	93x53x50	0.138	0.45
TAS-15		15	2	Continuous	110 or 220	50/60Hz	93x57x50	0.153	0.50
TASS-20		20	3.5	Continuous	110 or 220	50/60Hz	116x65x55	0.253	0.80
TAS-20		20	3	Continuous	110 or 220	50/60Hz	130x70x63	0.302	1.15
TAS-25		20	4	Continuous	110 or 220	50/60Hz	130x75x63	0.348	1.30
TAS-30		20	5	Continuous	110 or 220	50/60Hz	130x80x63	0.393	1.45
TAS-35		30	5	Continuous	110 or 220	50/60Hz	170x90x86	0.598	2.30
TAS-40		30	6	Continuous	110 or 220	50/60Hz	170x100x86	0.777	2.70
TAS-45		30	8	Continuous	110 or 220	50/60Hz	170x110x86	0.957	3.10
TAS-50		40	10	Continuous	110 or 220	50/60Hz	230x113x102	1.832	4.80
TAS-10A		20	1.5	Continuous	110 or 220	50/60Hz	136x51x56	0.193	0.68
TAS-20A		30	3	Continuous	110 or 220	50/60Hz	165x68x78	0.437	1.30
TAS-30A		30	5	Continuous	110 or 220	50/60Hz	145x80x78	0.649	1.75
TAS-03		10	0.3	Intermittent	110 or 220	50/60Hz	56x40x27	0.018	0.08



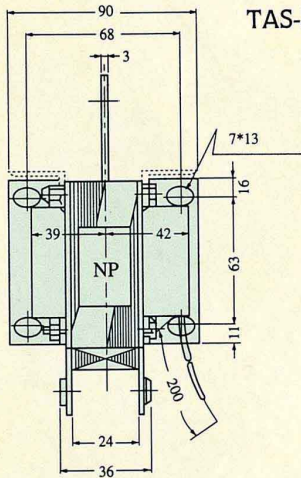
AC SOLENOIDS



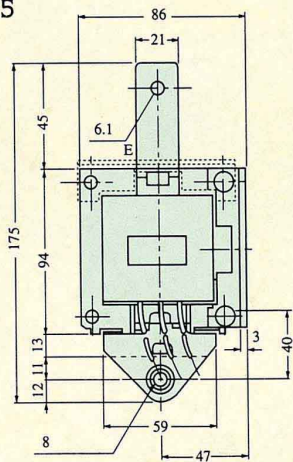
AC SOLENOIDS



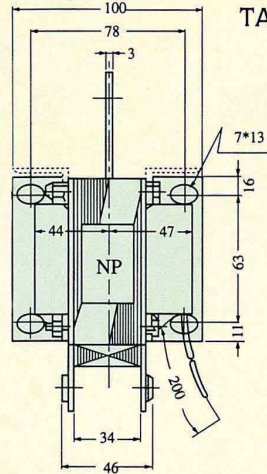
AC SOLENOIDS



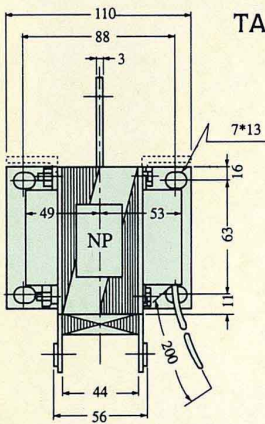
TAS-35



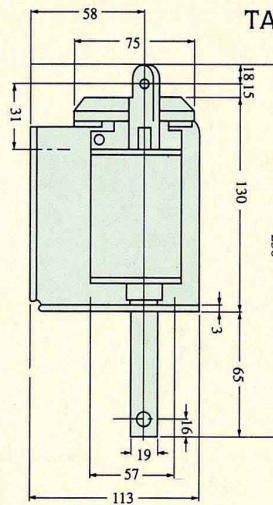
TAS-40



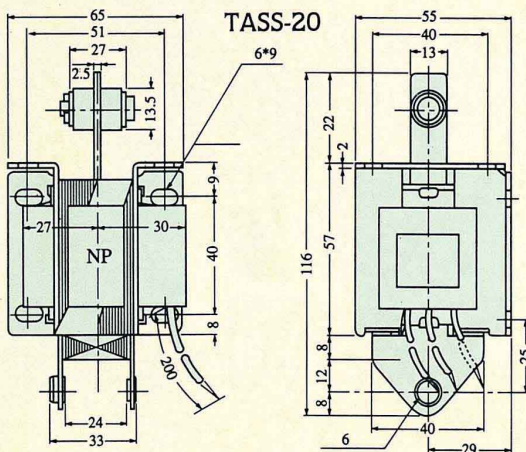
TAS-45



TAS-50



TASS-20



TAS-03

