

Specifications

Operating Frequency	Mechanical 240 ops/min Electrical 20 ops/min
Service Life	Mechanically 1.0 x 10 ⁶ (operations) Electrically 5 x 10 ⁵ (operations)
Rated Voltage/Current	15A@250VAC
Rated Insulation Voltage	600VAC
Operating Temperature	-20~+80°C (-4~176°F)
Dielectric Strength	2500VAC 50/60Hz (For 1 min)
Degree of Protection	IP63

Definitions of Operating Characteristics

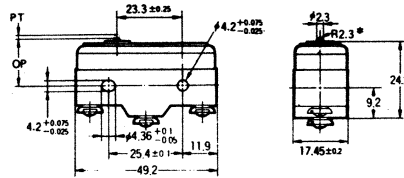
- | | |
|--------------------|-------------------------------|
| OF Operating Force | PT Pretravel |
| RF Releasing Force | MD Movement Differential |
| OT Overtravel | OP Operating Position |
| TT Total Travel | PO Travel to Positive Opening |

Dimensions

Unit:mm



Z-15G

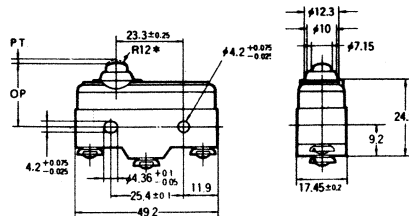


Operating Characteristics

- OF_{max} 3.43N
- RF_{min} 1.12N
- PT_{max} 0.4mm
- OT_{min} 0.13mm
- MD_{max} 0.05mm
- OP 15.9±0.4mm

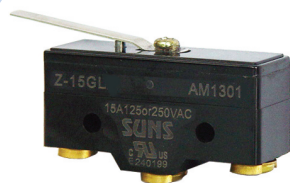


Z-15GD

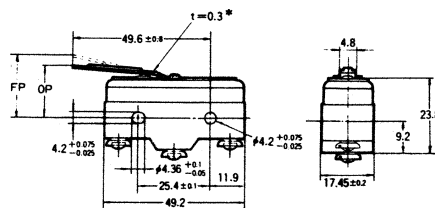


Operating Characteristics

- OF_{max} 3.43N
- RF_{min} 1.12N
- PT_{max} 0.4mm
- OT_{min} 1.6mm
- MD_{max} 0.05mm
- OP 21.5±0.5mm



Z-15GL



Operating Characteristics

- OF_{max} 1.47N
- RF_{min} 0.14N
- PT_{max} 4mm
- OT_{min} 1.6mm
- MD_{max} 1.3mm
- FP 20.6mm
- OP 17.4±0.8mm




Z-15GL2

Operating Characteristics

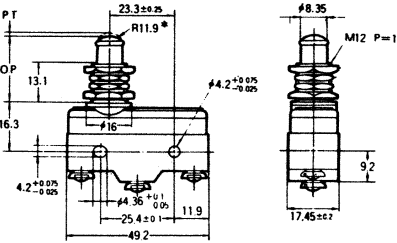
- OF_{max} 1.47N
- RF_{min} 0.14N
- OT_{min} 1.6mm
- PT_{max} 4mm
- MD_{max} 1.3mm
- FP 31.8mm
- OP 28.6±0.8mm

GENERAL-PURPOSE MICRO SWITCHES Z-15 SERIES






Z-15GQ

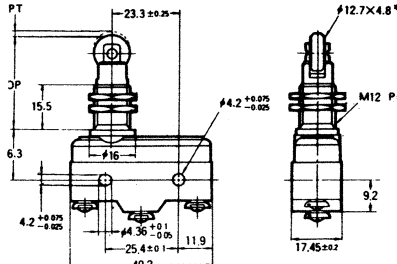


Operating Characteristics

- OF_{max} 3.43N
- RF_{min} 1.12N
- PT_{max} 0.4mm
- OT_{min} 5.5mm
- MD_{max} 0.05mm
- OP 21.8±0.8mm




Z-15GQ22

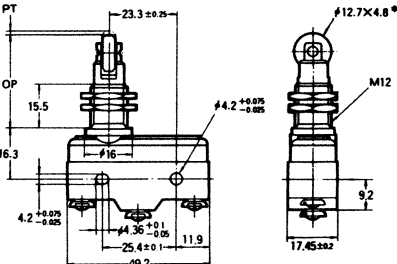


Operating Characteristics

- OF_{max} 3.43N
- RF_{min} 1.12N
- PT_{max} 0.4mm
- OT_{min} 3.58mm
- MD_{max} 0.05mm
- OP 33.4±1.2mm




Z-15GQ21

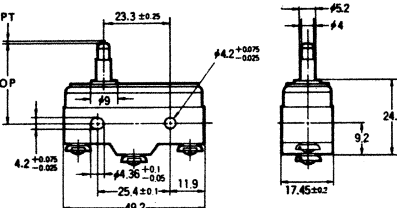


Operating Characteristics

- OF_{max} 3.43N
- RF_{min} 1.12N
- PT_{max} 0.4mm
- OT_{min} 3.58mm
- MD_{max} 0.05mm
- OP 33.4±1.2mm



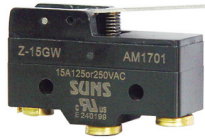
Z-15GS



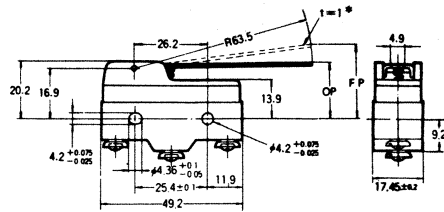
Operating Characteristics

- OF_{max} 3.43N
- RF_{min} 1.12N
- PT_{max} 0.4mm
- OT_{min} 1.6mm
- MD_{max} 0.05mm
- OP 28.2±0.6mm

GENERAL-PURPOSE MICRO SWITCHES Z-15 SERIES



Z-15GW

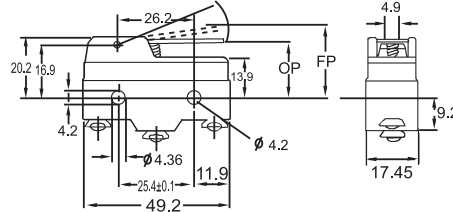


Operating Characteristics

- OF_{max} 0.69N
- RF_{min} 0.14N
- PT_{max} 10mm
- OT_{min} 5.6mm
- MD_{max} 2mm
- FP_{max} 28.2mm
- OP 19.1±0.7mm



Z-15GW1

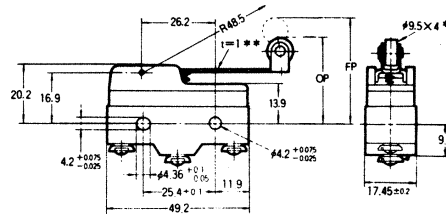


Operating Characteristics

- OF_{max} 1.03N
- RF_{min} 0.21N
- PT_{max} 6.6mm
- OT_{min} 3.7mm
- MD_{max} 0.85mm
- FP_{max} 24.5mm
- OP 18.4±0.5mm



Z-15GW2

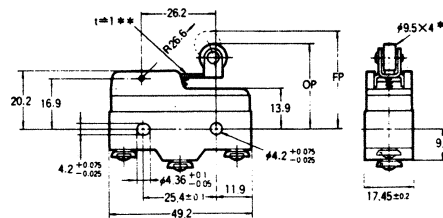


Operating Characteristics

- OF_{max} 0.98N
- RF_{min} 0.21N
- PT_{max} 7.1mm
- OT_{min} 4mm
- MD_{max} 1.02mm
- FP_{max} 36.5mm
- OP 30.2±0.8mm



Z-15GW22

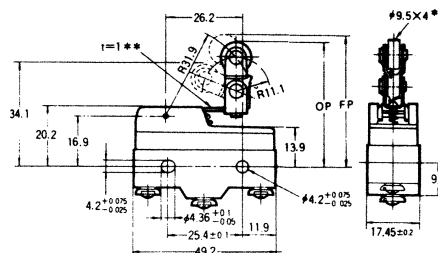


Operating Characteristics

- OF_{max} 1.57N
- RF_{min} 0.41N
- PT_{max} 2.7mm
- OT_{min} 2.4
- MD_{max} 0.8mm
- FP_{max} 32.5mm
- OP 30.2±0.4mm



Z-15GW2277



Operating Characteristics

- OF_{max} 1.67N
- RF_{min} 0.41N
- PT_{max} 3mm
- OT_{min} 2.4mm
- MD_{max} 0.8mm
- FP_{max} 43.5mm
- OP 41.3±0.8mm