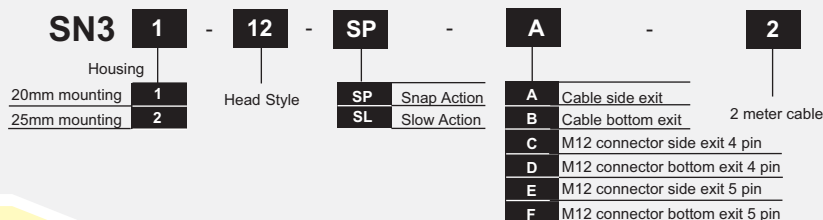


COMPACT LIMIT SWITCHES (Metal Body, IP67 Water-Proof) SN31 SERIES (20mm) and SN32 SERIES (25mm)

Selection Guide:



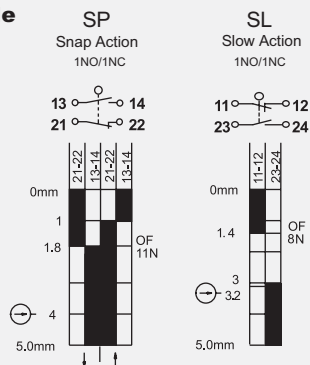
Specification

Operating Speed	0.05mm-2m/sec
Operating Frequency	Mechanical: 120ops/min Electrical: 30 ops/min
Insulation Resistance	>100MΩ@500V DC
Contact Resistance	<25mΩ (initial value)
Rated Voltage	300V AC (EN60947-5-1)
Rated Thermal Current	10A
Electrical Rating	AC15 A300 DC13 Q300
Dielectric Strength	1000VAC for 1 min between current carrying parts 2500VAC for 1 min between non-current carrying parts
Service Life	Mechanically 1.0 x10 ⁷ (operations) Electrically 5 x10 ⁵ (operations)
Operating Temperature	-25~+85°C without formation of ice
Humidity	< 95%RH
Cable	5 core, 0.75mm ²
Degree of Protection	IP67

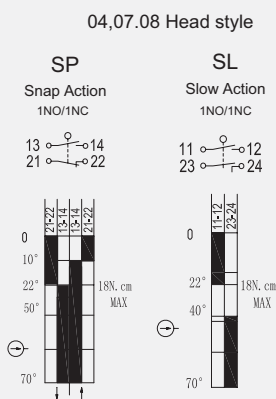
Electrical Ratings

Designation & Utilization Category	IEC 947-5-1 / EN 90947-5-1						VA rating	
	Rated operational current Ie (A) at rated operational voltage Ue						Make	Break
	120V	240V	380V	480V	500V	600V		
AC15 A300	6	3	-	-	-	-	7200	720
DC13 Q300	125VDC	250VDC	0.55	0.27			69	69

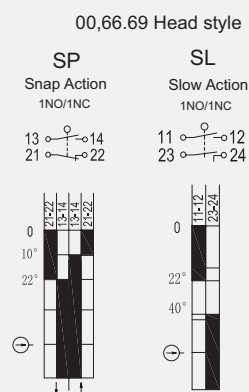
Plunger Style



Rotary Style



Spring Coil Style



COMPACT LIMIT SWITCHES (Metal Body, IP67 Water-Proof) SN31 SERIES (20mm)

<p>Order Code</p> <p>SN3101-SP SP ↻ snap action 1NO+1NC</p> <p>SN3101-SL SL ↻ slow action 1NO+1NC BBM</p>	<p>Order Code</p> <p>SN3112-SP SP ↻ snap action 1NO+1NC</p> <p>SN3112-SL SL ↻ slow action 1NO+1NC BBM</p>
<p>Order Code</p> <p>SN3111-SP SP ↻ snap action 1NO+1NC</p> <p>SN3111-SL SL ↻ slow action 1NO+1NC BBM</p>	<p>Order Code</p> <p>SN3122-SP SP ↻ snap action 1NO+1NC</p> <p>SN3122-SL SL ↻ slow action 1NO+1NC BBM</p>
<p>Order Code</p> <p>SN3121-SP SP ↻ snap action 1NO+1NC</p> <p>SN3121-SL SL ↻ slow action 1NO+1NC BBM</p>	<p>Order Code</p> <p>SN3102-SP SP ↻ snap action 1NO+1NC</p> <p>SN3102-SL SL ↻ slow action 1NO+1NC BBM</p>
<p>Order Code</p> <p>SN3131-SP SP ↻ snap action 1NO+1NC</p> <p>SN3131-SL SL ↻ slow action 1NO+1NC BBM</p>	<p>Order Code</p> <p>SN3103-SP SP ↻ snap action 1NO+1NC</p> <p>SN3103-SL SL ↻ slow action 1NO+1NC BBM</p>

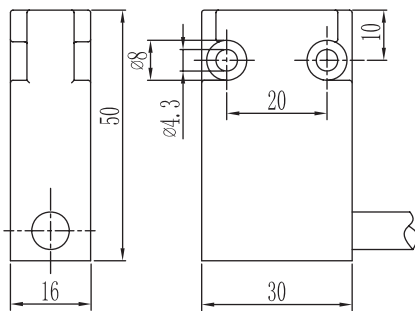
COMPACT LIMIT SWITCHES (Metal Body, IP67 Water-Proof) SN31 SERIES (20mm)

<p>Order Code</p> <p>SN3132-SP SP snap action 1NO+1NC</p> <p>SN3132-SL SL slow action 1NO+1NC BBM</p>	<p>Order Code</p> <p>SN3142-SP SP snap action 1NO+1NC</p> <p>SN3142-SL SL slow action 1NO+1NC BBM</p>
<p>Order Code</p> <p>SN3104-SP SP snap action 1NO+1NC</p> <p>SN3104-SL SL slow action 1NO+1NC BBM</p>	<p>Order Code</p> <p>SN3104-SP-S SP snap action 1NO+1NC</p> <p>SN3104-SL-S SL slow action 1NO+1NC BBM</p>
<p>Order Code</p> <p>SN3107-SP SP snap action 1NO+1NC</p> <p>SN3107-SL SL slow action 1NO+1NC BBM</p>	<p>Order Code</p> <p>SN3108-SP SP snap action 1NO+1NC</p> <p>SN3108-SL SL slow action 1NO+1NC BBM</p>
<p>Order Code</p> <p>SN3111-SP G SP snap action 1NO+1NC</p> <p>SN3111-SL G SL slow action 1NO+1NC BBM</p>	<p>Order Code</p> <p>SN3166-SP SP snap action 1NO+1NC</p> <p>SN3166-SL SL slow action 1NO+1NC BBM</p>

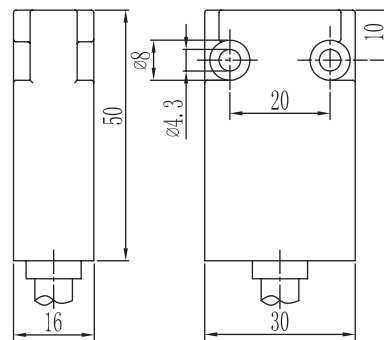
COMPACT LIMIT SWITCHES (Metal Body, IP67 Water-Proof) SN31 SERIES (20mm)

Basic Body dimension:

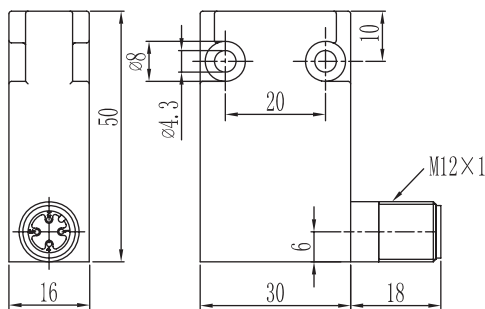
Suffix: -A (cable side exit)



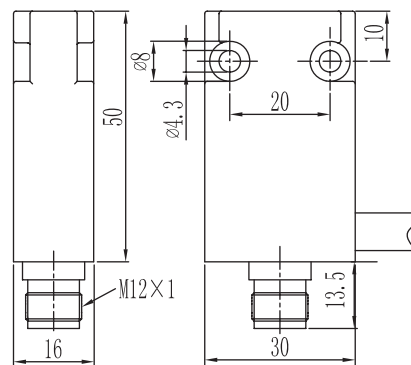
Suffix: -B (cable bottom exit)



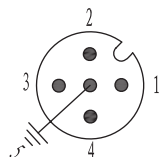
Suffix: -C (M12 quick connector side exit 4 pin)
Suffix: -E (M12 quick connector side exit 5 pin)



Suffix: -D (M12 Quick Connector bottom exit 4 pin)
Suffix: -F (M12 Quick Connector bottom exit 5 pin)

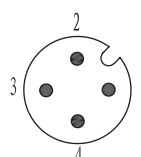


5 pin M12



1-2=NC
3-4=NO
5=⏏

4 pin M12



1-2=NC
3-4=NO

COMPACT LIMIT SWITCHES (Metal Body, IP67 Water-Proof) SN32 SERIES (25mm) 5-CORE

	<p>Order Code Contact block</p> <p>SN3201-SP SP snap action 1NO+1NC</p> <p>SN3201-SL SL slow action 1NO+1NC BBM</p>		<p>Order Code Contact block</p> <p>SN3212-SP SP snap action 1NO+1NC</p> <p>SN3212-SL SL slow action 1NO+1NC BBM</p>
	<p>Order Code Contact block</p> <p>SN3211-SP SP snap action 1NO+1NC</p> <p>SN3211-SL SL slow action 1NO+1NC BBM</p>		<p>Order Code Contact block</p> <p>SN3222-SP SP snap action 1NO+1NC</p> <p>SN3222-SL SL slow action 1NO+1NC BBM</p>
	<p>Order Code Contact block</p> <p>SN3221-SP SP snap action 1NO+1NC</p> <p>SN3221-SL SL slow action 1NO+1NC BBM</p>		<p>Order Code Contact block</p> <p>SN3202-SP SP snap action 1NO+1NC</p> <p>SN3202-SL SL slow action 1NO+1NC BBM</p>
	<p>Order Code Contact block</p> <p>SN3231-SP SP snap action 1NO+1NC</p> <p>SN3231-SL SL slow action 1NO+1NC BBM</p>		<p>Order Code Contact block</p> <p>SN3203-SP SP snap action 1NO+1NC</p> <p>SN3203-SL SL slow action 1NO+1NC BBM</p>

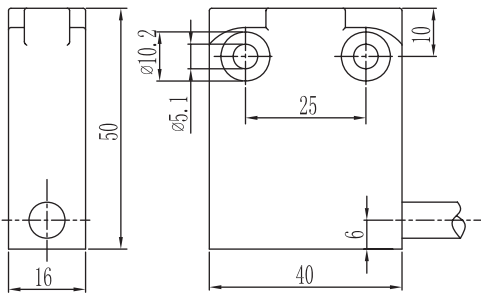
COMPACT LIMIT SWITCHES (Metal Body, IP67 Water-Proof) SN32 SERIES (25mm) 5-CORE

<p>Order Code</p> <p>SN3232-SP SP ↺ snap action 1NO+1NC</p> <p>SN3232-SL SL ↺ slow action 1NO+1NC BBM</p>	<p>Order Code</p> <p>SN3242-SP SP ↻ snap action 1NO+1NC</p> <p>SN3242-SL SL ↻ slow action 1NO+1NC BBM</p>
<p>Order Code</p> <p>SN3204-SP SP ↺ snap action 1NO+1NC</p> <p>SN3204-SL SL ↺ slow action 1NO+1NC BBM</p>	<p>Order Code</p> <p>SN3204-SP-S SP ↻ snap action 1NO+1NC</p> <p>SN3204-SL-S SL ↻ slow action 1NO+1NC BBM</p>
<p>Order Code</p> <p>SN3207-SP SP ↺ snap action 1NO+1NC</p> <p>SN3207-SL SL ↺ slow action 1NO+1NC BBM</p>	<p>Order Code</p> <p>SN3208-SP SP ↻ snap action 1NO+1NC</p> <p>SN3208-SL SL ↻ slow action 1NO+1NC BBM</p>
<p>Order Code</p> <p>SN3211-SP G SP ↺ snap action 1NO+1NC</p> <p>SN3211-SL G SL ↺ slow action 1NO+1NC BBM</p>	<p>Order Code</p> <p>SN3266-SP SP ↻ snap action 1NO+1NC</p> <p>SN3266-SL SL ↻ slow action 1NO+1NC BBM</p>

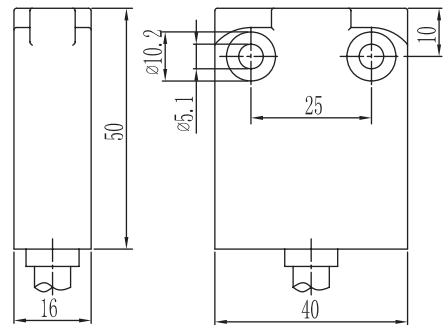
COMPACT LIMIT SWITCHES (Metal Body, IP67 Water-Proof) SN32 SERIES (25mm) 5-CORE

Basic Body dimension:

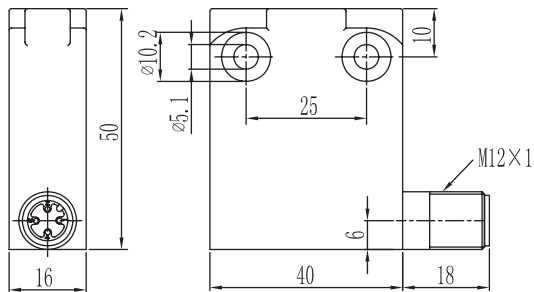
Suffix: -A (cable side exit)



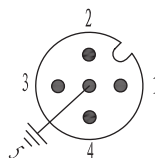
Suffix: -B (cable bottom exit)



Suffix: -C (M12 quick connector side exit 4 pin)
Suffix: -E (M12 quick connector side exit 5 pin)

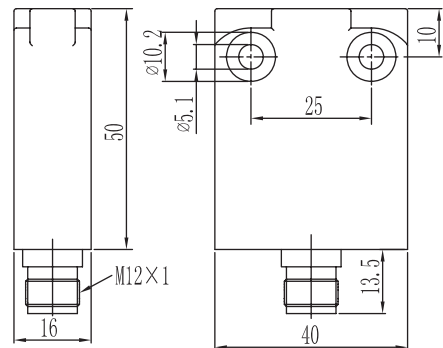


5 pin M12

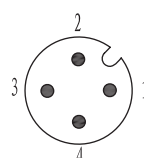


1-2=NC
3-4=NO
5=⏏

Suffix: -D (M12 Quick Connector bottom exit 4 pin)
Suffix: -F (M12 Quick Connector bottom exit 5 pin)



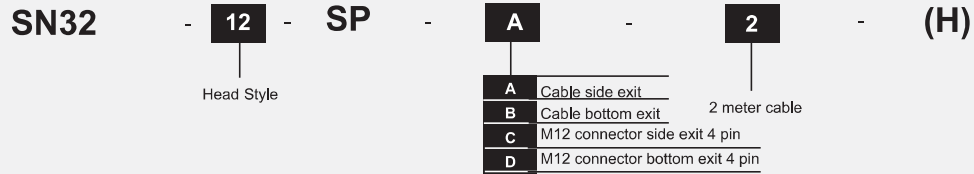
4 pin M12



1-2=NC
3-4=NO

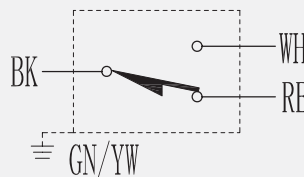
SN32(H) High Precision Compact Limit Switches (IP67)

Selection Guide:

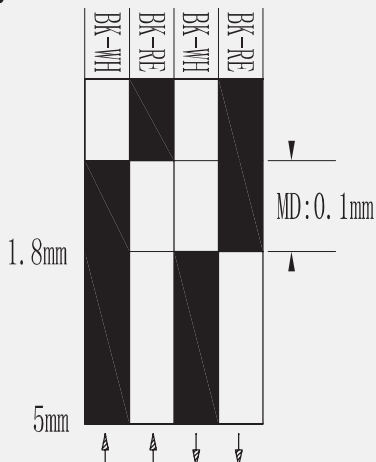


Specification

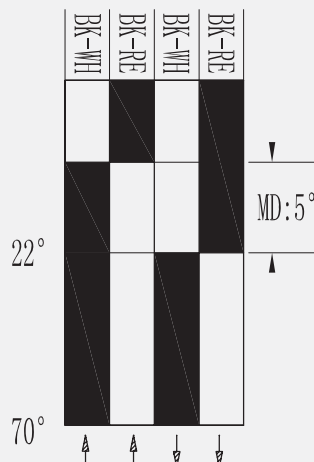
Operating Speed	0.05mm-2m/sec
Operating Frequency	Mechanical: 120ops/min Electrical: 30 ops/min
Insulation Resistance	>100MΩ@500V DC
Contact Resistance	<25mΩ (initial value)
Rated Voltage	300V AC (EN60947-5-1)
Rated Thermal Current	10A
Electrical Rating	AC15 A300 DC13 Q300
Dielectric Strength	1000VAC for 1 min between current carrying parts 2500VAC for 1 min between non-current carrying parts
Service Life	Mechanically 1.0 x 10 ⁷ (operations) Electrically 5 x 10 ⁵ (operations)
Operating Temperature	-25~+85°C without formation of ice
Humidity	< 95%RH
Cable	4 core, SJT
Degree of Protection	IP67



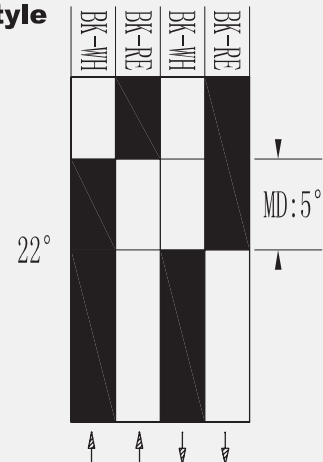
Plunger Style



Rotary Style

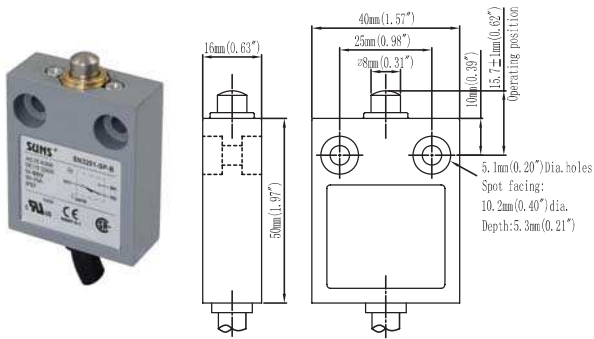


Spring Coil Style

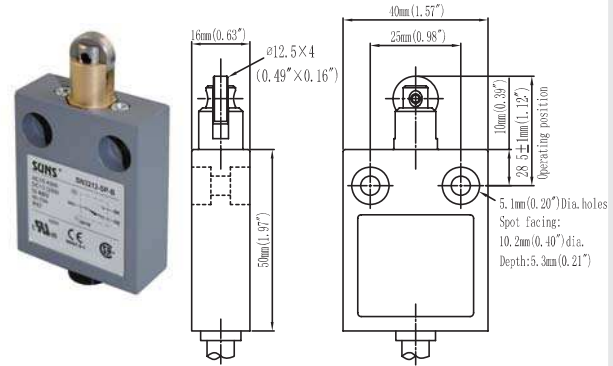


SN32(H) High Precision Compact Limit Switches (IP67 Water-Proof) SN32(H) SERIES (25mm) 4-CORE

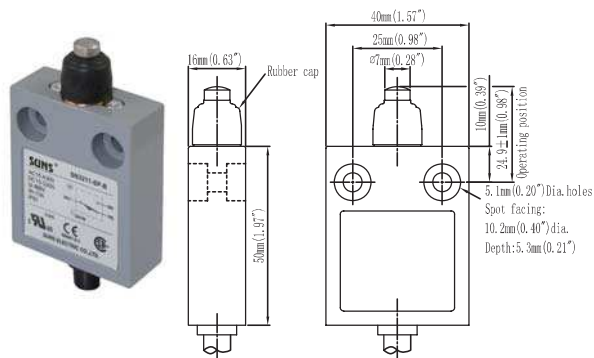
SN3201-SP(H)



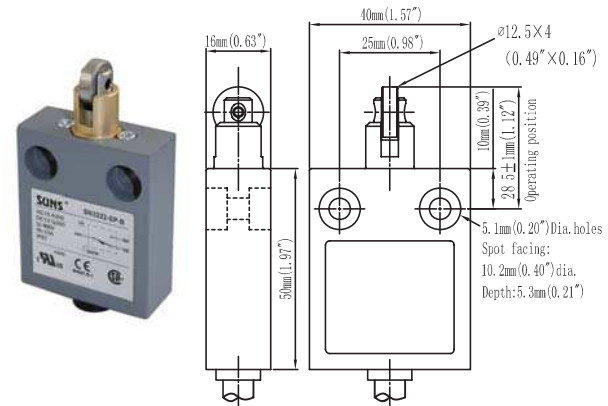
SN3212-SP(H)



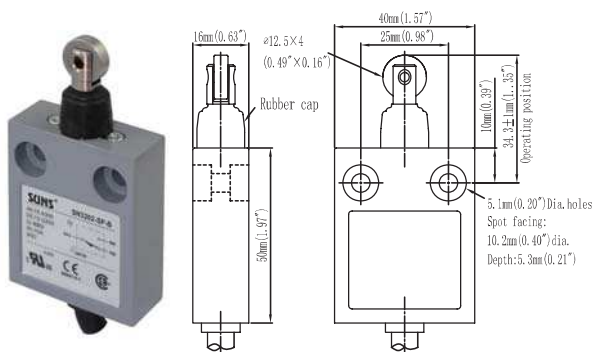
SN3211-SP(H)



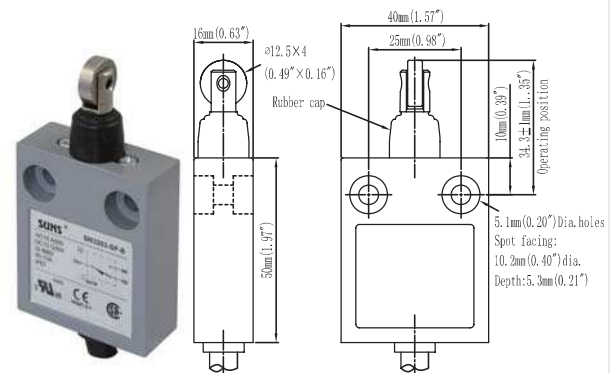
SN3222-SP(H)



SN3202-SP(H)

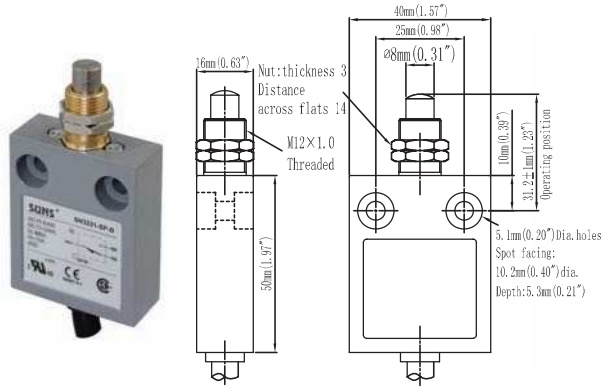


SN3203-SP(H)

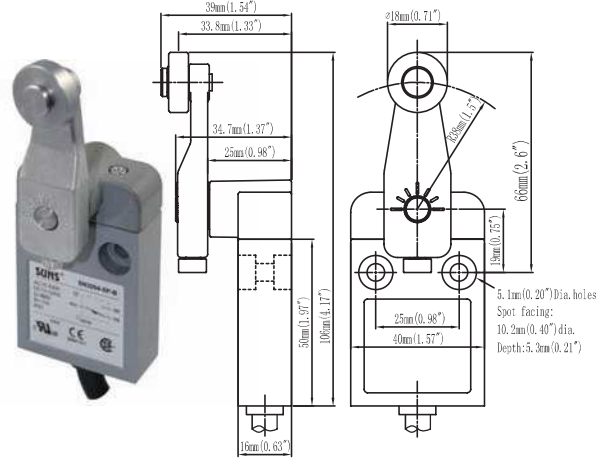


SN32(H) High Precision Compact Limit Switches (IP67 Water-Proof) SN32(H) SERIES (25mm) 4-CORE

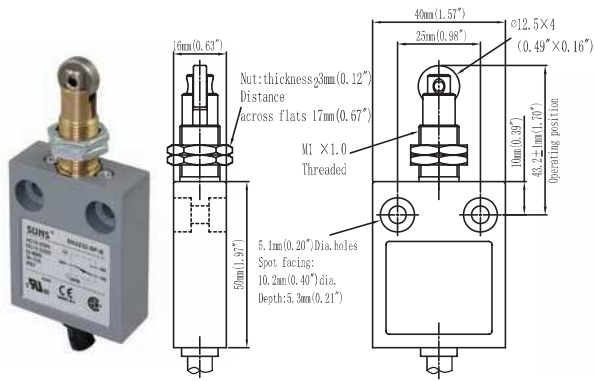
SN3221-SP(H)



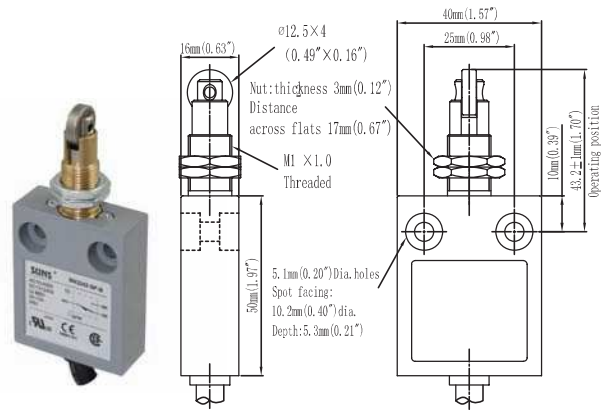
SN3204-SP(H)



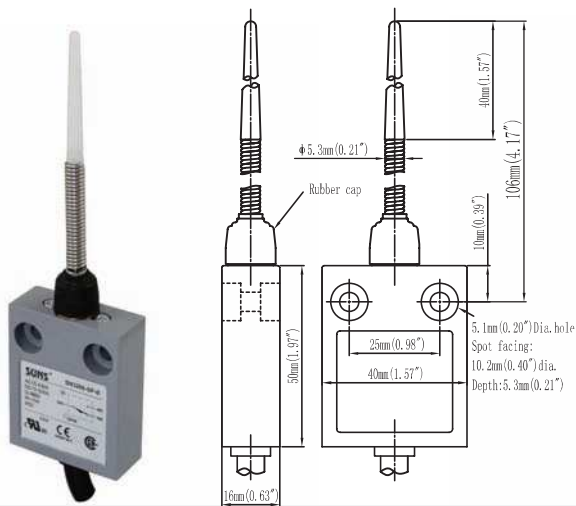
SN3232-SP(H)



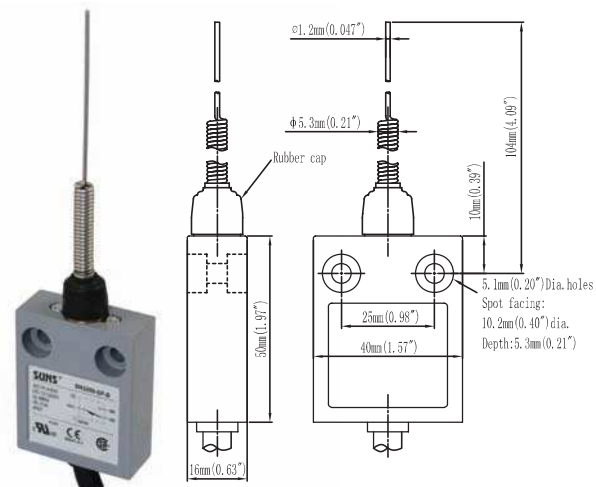
SN3242-SP(H)



SN3266-SP(H)



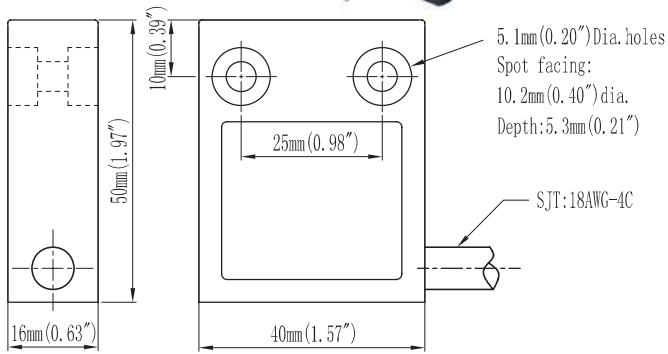
SN3269-SP(H)



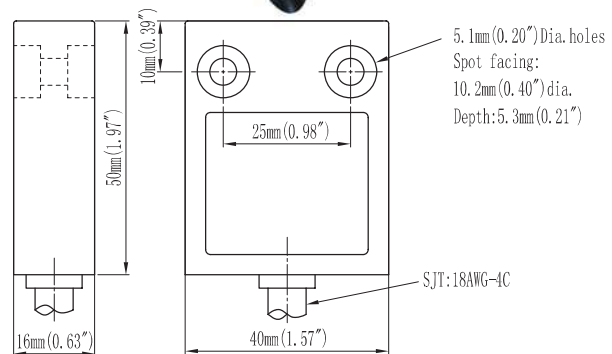
SN32(H) High Precision Compact Limit Switches (IP67 Water-Proof) SN32(H) SERIES (25mm) 4-CORE

Basic Body dimension:

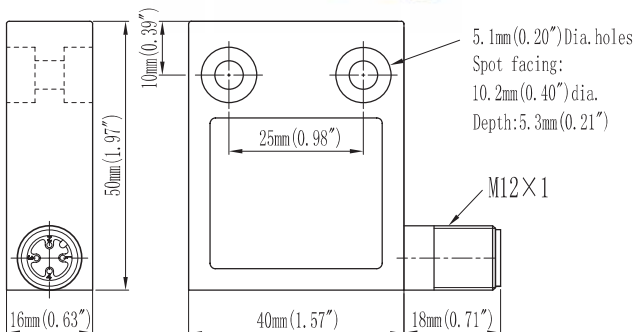
Suffix: -A (cable side exit)



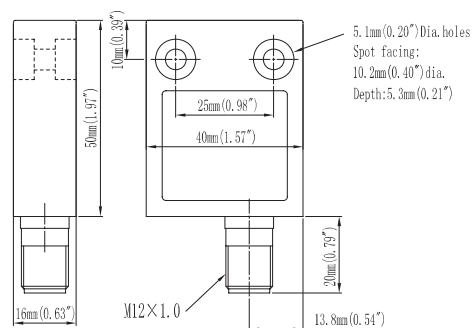
Suffix: -B (cable bottom exit)



Suffix: -C (M12 quick connector side exit 4 pin)



Suffix: -D (M12 Quick Connector bottom exit 4 pin)



4 pin M12

