

GLOBAL STYLE SAFETY LIMIT SWITCHES (METAL BODIED EN50047 COMPATIBLE) SN2 SERIES (3 - CONDUIT ENTRIES)

We are committed to delivering world class products and services efficiently and effectively to our customers and their total satisfaction is our goal.



Features

- Zinc die cast body
- Earth grounding surface on same level as switching
- Easily interchangeable contact block
- Galvanically separated contacts
- Screw terminals with self-lifting clamps for easy wiring
- Positive Opening of NC contacts
- 4 x 90° actuator positions
- Cable entry available: M20, PG13.5 and 1/2"NPT
- Conform to EN 50047 standard

Definitions of Operating Characteristics

- OF Operating Force
- RF Releasing Force
- OT Overtravel
- TT Total Travel
- PT Pretravel
- MD Movement Differential
- OP Operating Position
- PO Travel to Positive Opening



Specifications

Operating Speed	0.05mm-2m/sec
Operating Frequency	Mechanical: 120ops/min Electrical: 30 ops/min
Insulation Resistance	>100MΩ@500V DC
Contact Resistance	<25mΩ (initial value)
Rated Thermal Current	10A/600V AC (EN60947-5-1) UL/cUL Listed (E216958) AC15 A600 / DC13 Q300
Dielectric Strength	1000VAC for 1 min between current carrying parts 2500VAC for 1 min between non-current carrying parts
Service Life	Mechanically 1.0 x 10 ⁷ (operations) Electrically 5 x 10 ⁵ (operations)
Operating Temperature	-25~+80°C (-13~176°F) with no icing
Humidity	< 95%RH
Weight	270-320g
Degree of Protection	IP67

Selection Guide:

SN21

Body Styles

04

Head Styles

SP

- SP: 1NO/1NC Snap action
- SPT: 2NO/2NC Snap action
- SL: BBM 1NO/1NC Slow Action changeover
- SL1: MBB 1NO/1NC Slow Action Overlapping
- SL2: 2NC Slow Action
- SL3: 2NO Slow Action
- SL4: 3NC Slow Action
- SL5: 3NO Slow Action
- SL6: BBM 2NC/1NO Slow Action changeover
- SL7: MBB 2NC/1NO Slow Action Overlapping
- SL8: BBM 2NO/1NC Slow Action changeover
- SL9: MBB 2NO/1NC Slow Action Overlapping

C

Conduits

- A: 1/2"NPT
- B: PG13.5
- C: M20 Conduits
- D: M16
- B1: PG11

R

- Blank
- R: with Reset

GLOBAL STYLE SAFETY LIMIT SWITCHES (METAL BODIED EN50047 COMPATIBLE) SN2 SERIES (3 - CONDUIT ENTRIES)

Available contact blocks and travel diagrams



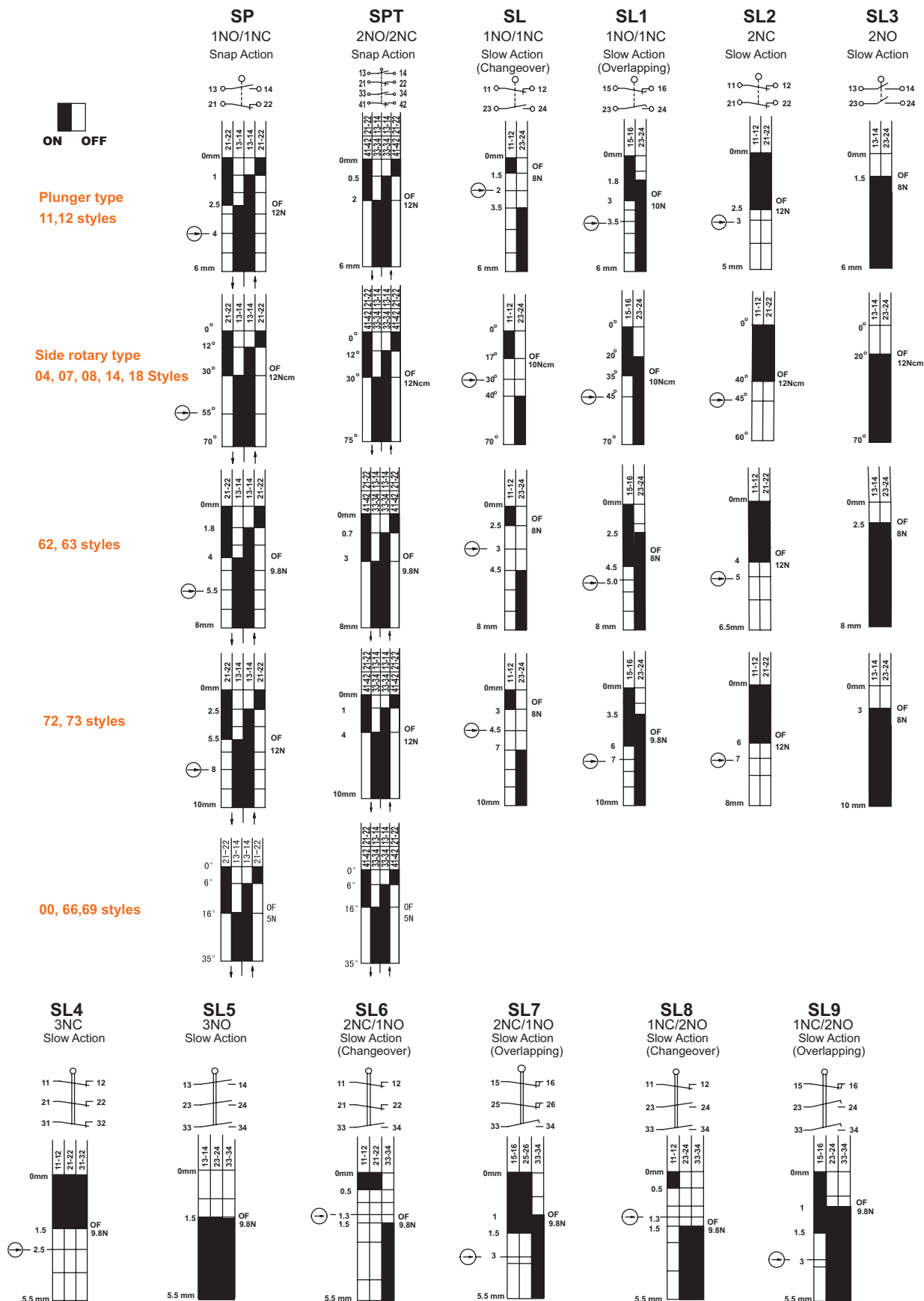
Plunger type
11,12 styles

Side rotary type
04, 07, 08, 14, 18 Styles

62, 63 styles

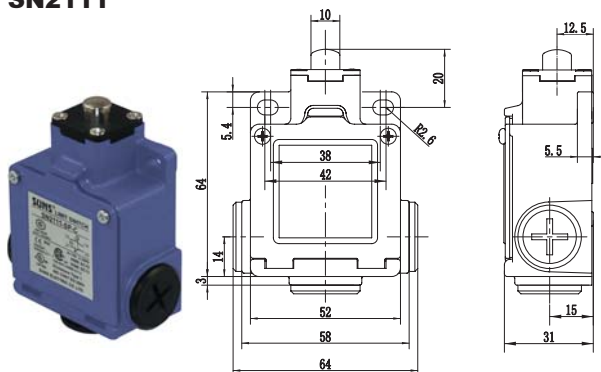
72, 73 styles

00, 66,69 styles



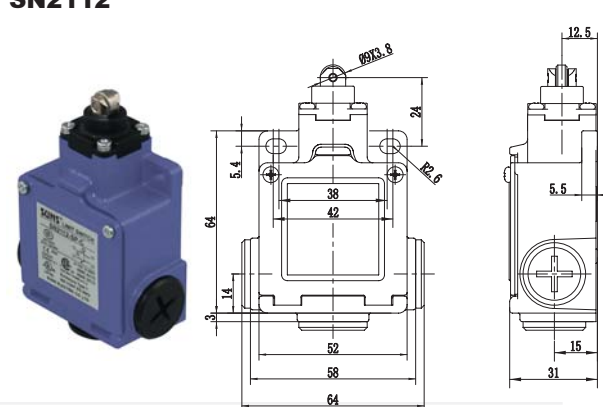
GLOBAL STYLE SAFETY LIMIT SWITCHES (METAL BODIED EN50047 COMPATIBLE) SN2 SERIES (3 - CONDUIT ENTRIES)

SN2111



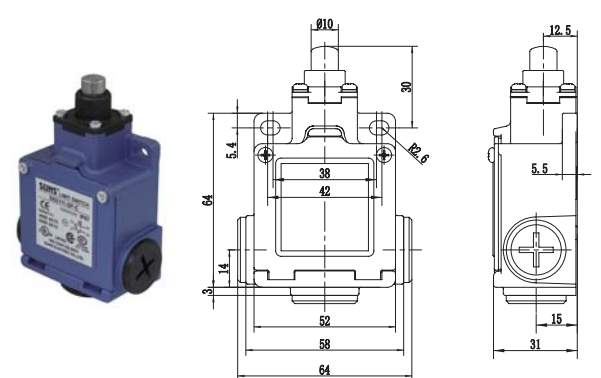
Order Code	Contact block			
SN2111-SP- _	SP	➔	snap action	1NO+1NC
SN2111-SL- _	SL	➔	slow action	1NO+1NC BBM
SN2111-SL1- _	SL1	➔	slow action	1NO+1NC MBB
SN2111-SL2- _	SL2	➔	slow action	2NC

SN2112



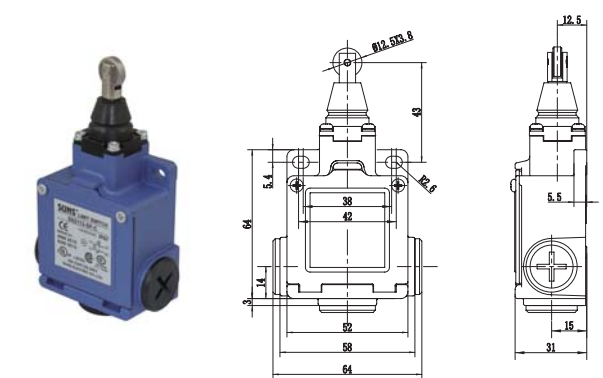
Order Code	Contact block			
SN2112-SP- _	SP	➔	snap action	1NO+1NC
SN2112-SL- _	SL	➔	slow action	1NO+1NC BBM
SN2112-SL1- _	SL1	➔	slow action	1NO+1NC MBB
SN2112-SL2- _	SL2	➔	slow action	2NC

SN2111-L



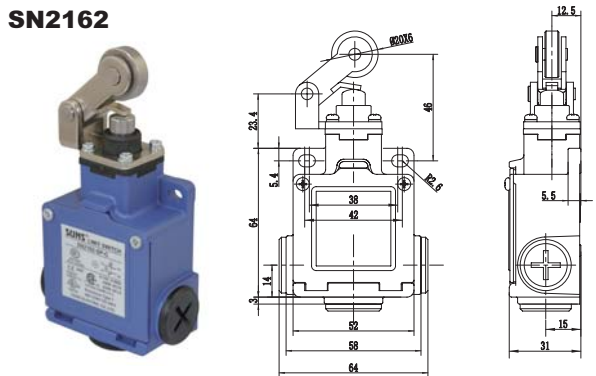
Order Code	Contact block			
SN2111-SP-L- _	SP	➔	snap action	1NO+1NC
SN2111-SL- L- _	SL	➔	slow action	1NO+1NC BBM
SN2111-SL1-L- _	SL1	➔	slow action	1NO+1NC MBB
SN2111-SL2-L- _	SL2	➔	slow action	2NC

SN2112-L



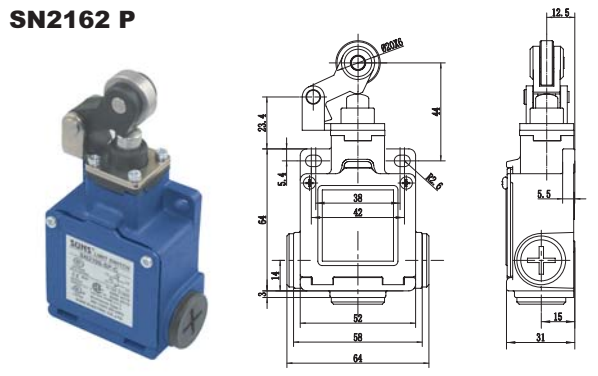
Order Code	Contact block			
SN2112-SP-L- _	SP	➔	snap action	1NO+1NC
SN2112-SL- L- _	SL	➔	slow action	1NO+1NC BBM
SN2112-SL1-L- _	SL1	➔	slow action	1NO+1NC MBB
SN2112-SL2-L- _	SL2	➔	slow action	2NC

SN2162



Order Code	Contact block			
SN2162-SP- _	SP	➔	snap action	1NO+1NC
SN2162-SL- _	SL	➔	slow action	1NO+1NC BBM
SN2162-SL1- _	SL1	➔	slow action	1NO+1NC MBB
SN2162-SL2- _	SL2	➔	slow action	2NC

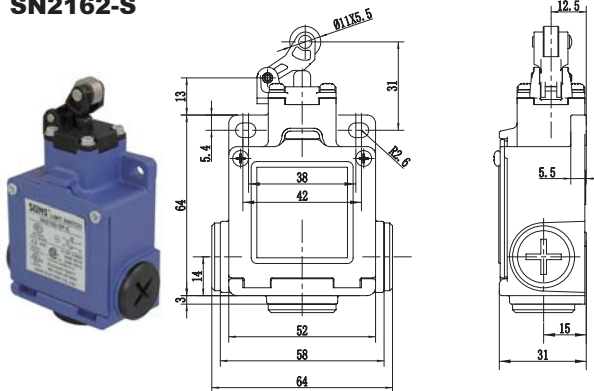
SN2162 P



Order Code	Contact block			
SN2162-SP- _P	SP	➔	snap action	1NO+1NC
SN2162-SL- _P	SL	➔	slow action	1NO+1NC BBM
SN2162-SL1- _P	SL1	➔	slow action	1NO+1NC MBB
SN2162-SL2- _P	SL2	➔	slow action	2NC

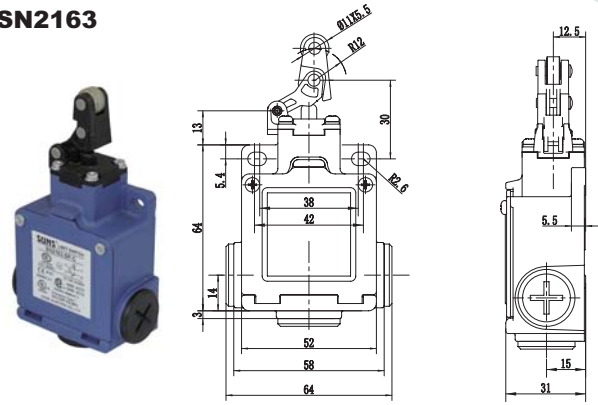
GLOBAL STYLE SAFETY LIMIT SWITCHES (METAL BODIED EN50047 COMPATIBLE) SN2 SERIES (3 - CONDUIT ENTRIES)

SN2162-S



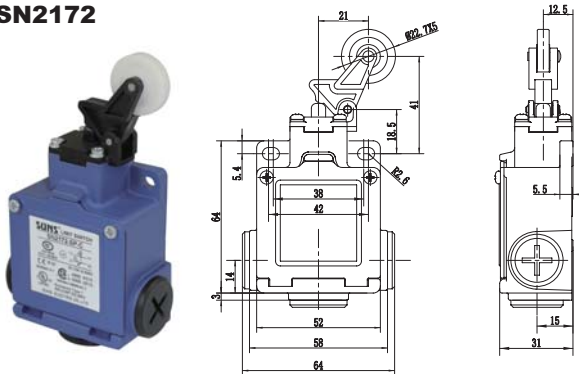
Order Code	Contact block			
SN2162-SP-__S	SP		snap action	1NO+1NC
SN2162-SL-__S	SL		slow action	1NO+1NC BBM
SN2162-SL1-__S	SL1		slow action	1NO+1NC MBB
SN2162-SL2-__S	SL2		slow action	2NC

SN2163



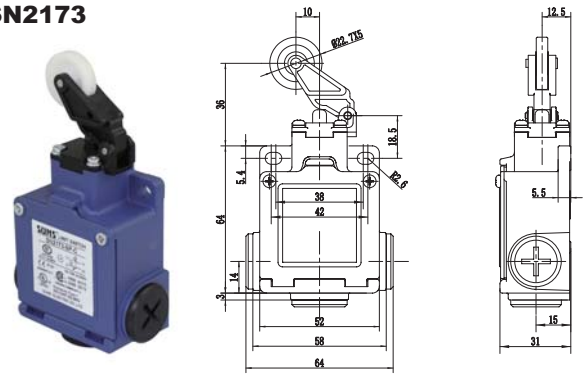
Order Code	Contact block			
SN2163-SP-__	SP		snap action	1NO+1NC
SN2163-SL-__	SL		slow action	1NO+1NC BBM
SN2163-SL1-__	SL1		slow action	1NO+1NC MBB
SN2163-SL2-__	SL2		slow action	2NC

SN2172



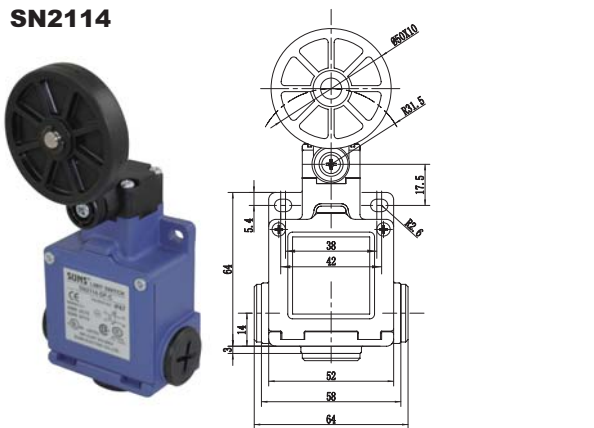
Order Code	Contact block			
SN2172-SP-__	SP		snap action	1NO+1NC
SN2172-SL-__	SL		slow action	1NO+1NC BBM
SN2172-SL1-__	SL1		slow action	1NO+1NC MBB
SN2172-SL2-__	SL2		slow action	2NC

SN2173



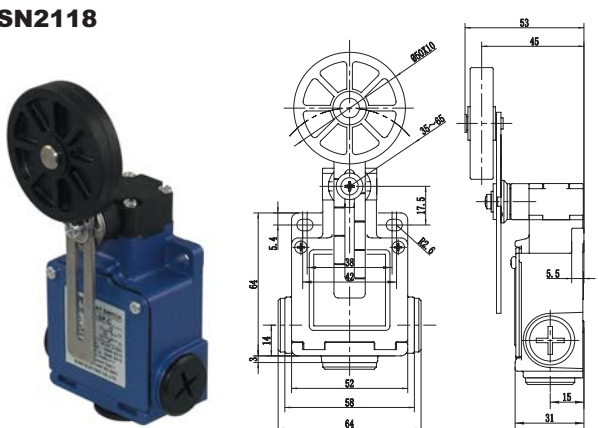
Order Code	Contact block			
SN2173-SP-__	SP		snap action	1NO+1NC
SN2173-SL-__	SL		slow action	1NO+1NC BBM
SN2173-SL1-__	SL1		slow action	1NO+1NC MBB
SN2173-SL2-__	SL2		slow action	2NC

SN2114



Order Code	Contact block			
SN2114-SP-__	SP		snap action	1NO+1NC
SN2114-SL-__	SL		slow action	1NO+1NC BBM
SN2114-SL1-__	SL1		slow action	1NO+1NC MBB
SN2114-SL2-__	SL2		slow action	2NC

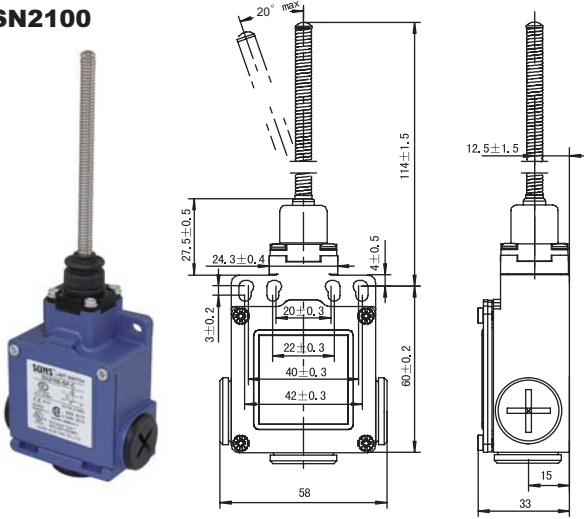
SN2118



Order Code	Contact block			
SN2118-SP-__	SP		snap action	1NO+1NC
SN2118-SL-__	SL		slow action	1NO+1NC BBM
SN2118-SL1-__	SL1		slow action	1NO+1NC MBB
SN2118-SL2-__	SL2		slow action	2NC

GLOBAL STYLE SAFETY LIMIT SWITCHES (METAL BODIED EN50047 COMPATIBLE) SN2 SERIES (3 - CONDUIT ENTRIES)

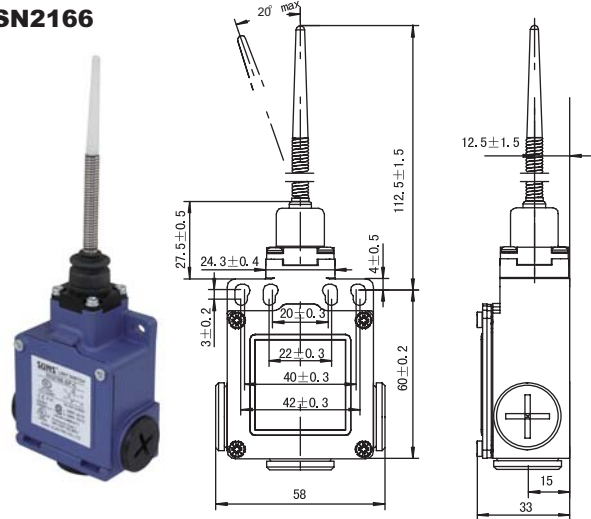
SN2100



Order Code

SN2100-SP-__ SP snap action 1NO+1NC

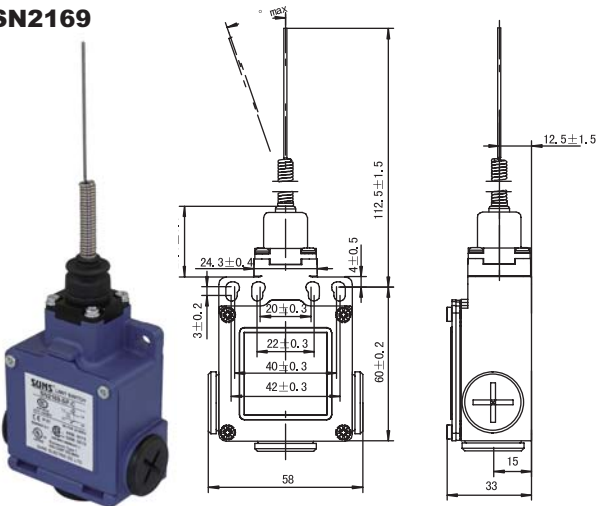
SN2166



Order Code

SN2166-SP-__ SP snap action 1NO+1NC

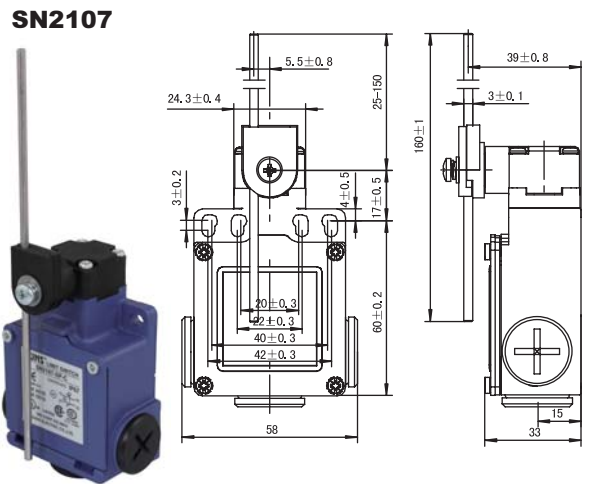
SN2169



Order Code

SN2169-SP-__ SP snap action 1NO+1NC

SN2107

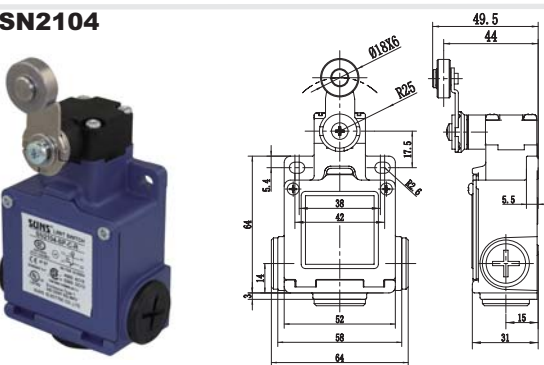


Order Code

Contact block

SN2107-SP-__	SP	↻	snap action	1NO+1NC
SN2107-SL-__	SL	↻	slow action	1NO+1NC BBM
SN2107-SL1-__	SL1	↻	slow action	1NO+1NC MBB
SN2107-SL2-__	SL2	↻	slow action	2NC

SN2104

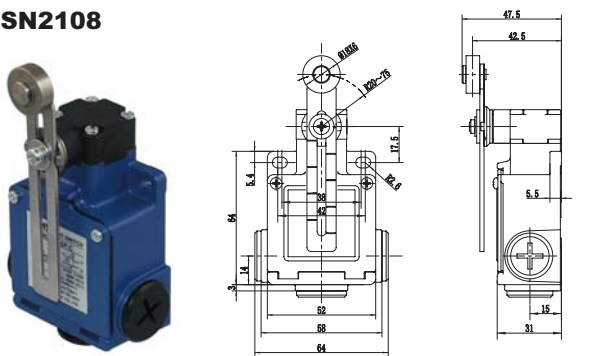


Order Code

Contact block

SN2104-SP-__	SP	↻	snap action	1NO+1NC
SN2104-SL-__	SL	↻	slow action	1NO+1NC BBM
SN2104-SL1-__	SL1	↻	slow action	1NO+1NC MBB
SN2104-SL2-__	SL2	↻	slow action	2NC

SN2108



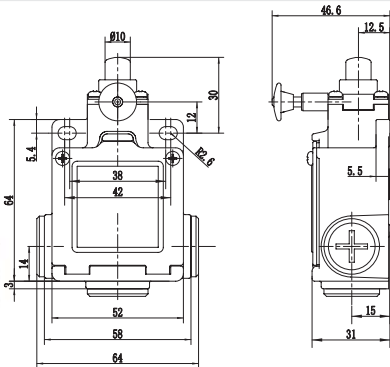
Order Code

Contact block

SN2108-SP-__	SP	↻	snap action	1NO+1NC
SN2108-SL-__	SL	↻	slow action	1NO+1NC BBM
SN2108-SL1-__	SL1	↻	slow action	1NO+1NC MBB
SN2108-SL2-__	SL2	↻	slow action	2NC

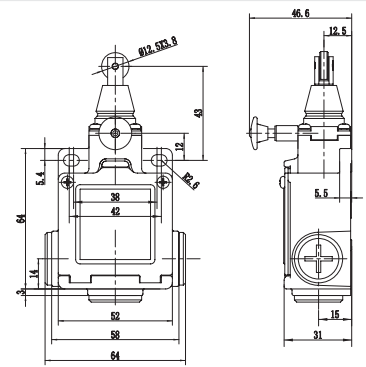
GLOBAL STYLE SAFETY LIMIT SWITCHES (METAL BODIED EN50047 COMPATIBLE) SN2 SERIES (3 - CONDUIT ENTRIES WITH RESET)

SN2111-R



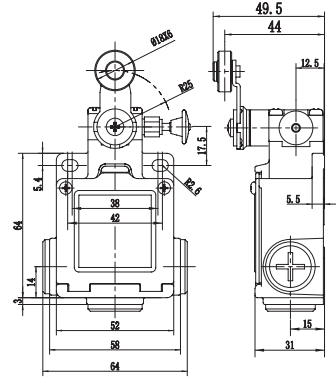
Order Code	Contact block		
SN2111-SP- _R	SP	⊕	snap action 1NO+1NC
SN2111-SL- _R	SL	⊕	slow action 1NO+1NC BBM
SN2111-SL1- _R	SL1	⊕	slow action 1NO+1NC MBB
SN2111-SL2- _R	SL2	⊕	slow action 2NC

SN2112-R



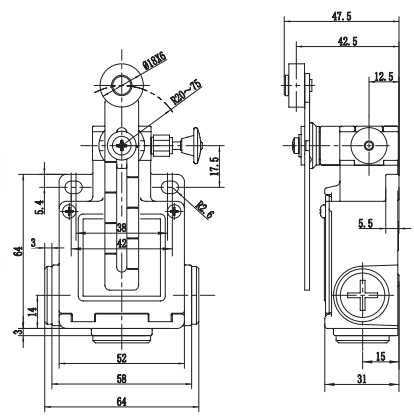
Order Code	Contact block		
SN2112-SP- _R	SP	⊕	snap action 1NO+1NC
SN2112-SL- _R	SL	⊕	slow action 1NO+1NC BBM
SN2112-SL1- _R	SL1	⊕	slow action 1NO+1NC MBB
SN2112-SL2- _R	SL2	⊕	slow action 2NC

SN2104-R



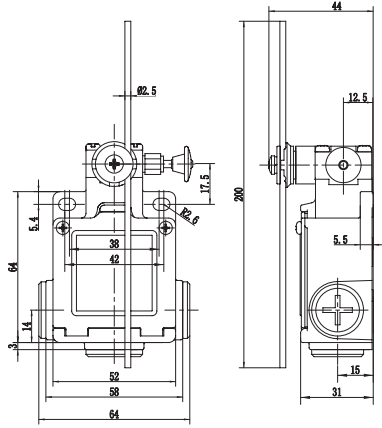
Order Code	Contact block		
SN2104-SP- _R	SP	⊕	snap action 1NO+1NC
SN2104-SL- _R	SL	⊕	slow action 1NO+1NC BBM
SN2104-SL1- _R	SL1	⊕	slow action 1NO+1NC MBB
SN2104-SL2- _R	SL2	⊕	slow action 2NC

SN2108-R



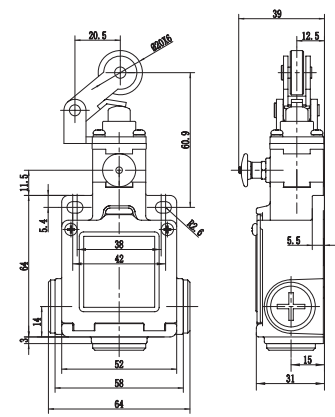
Order Code	Contact block		
SN2108-SP- _R	SP	⊕	snap action 1NO+1NC
SN2108-SL- _R	SL	⊕	slow action 1NO+1NC BBM
SN2108-SL1- _R	SL1	⊕	slow action 1NO+1NC MBB
SN2108-SL2- _R	SL2	⊕	slow action 2NC

SN2107-R



Order Code	Contact block		
SN2107-SP- _R	SP	⊕	snap action 1NO+1NC
SN2107-SL- _R	SL	⊕	slow action 1NO+1NC BBM
SN2107-SL1- _R	SL1	⊕	slow action 1NO+1NC MBB
SN2107-SL2- _R	SL2	⊕	slow action 2NC

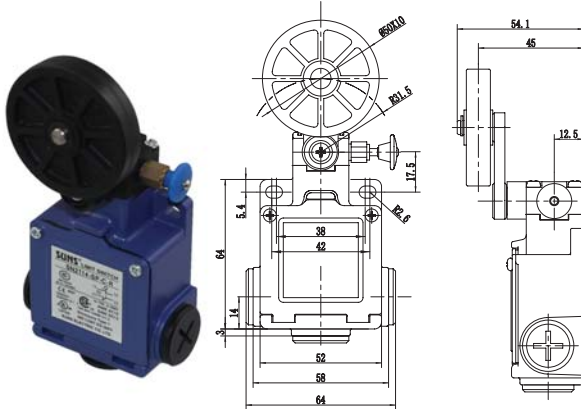
SN2162-R



Order Code	Contact block		
SN2162-SP- _R	SP	⊕	snap action 1NO+1NC
SN2162-SL- _R	SL	⊕	slow action 1NO+1NC BBM
SN2162-SL1- _R	SL1	⊕	slow action 1NO+1NC MBB
SN2162-SL2- _R	SL2	⊕	slow action 2NC

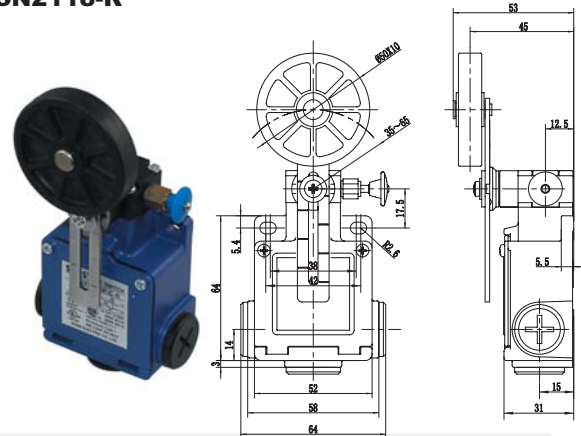
GLOBAL STYLE SAFETY LIMIT SWITCHES (METAL BODIED EN50047 COMPATIBLE) SN2 SERIES (3 - CONDUIT ENTRIES WITH RESET)

SN2114-R



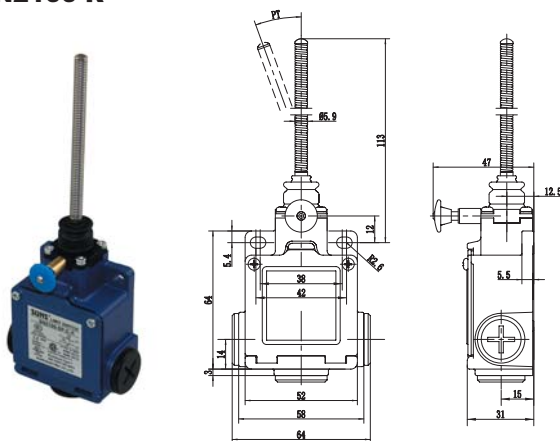
Order Code	Contact block		
SN2114-SP- _R	SP	→	snap action 1NO+1NC
SN2114-SL- _R	SL	→	slow action 1NO+1NC BBM
SN2114-SL1- _R	SL1	→	slow action 1NO+1NC MBB
SN2114-SL2- _R	SL2	→	slow action 2NC

SN2118-R



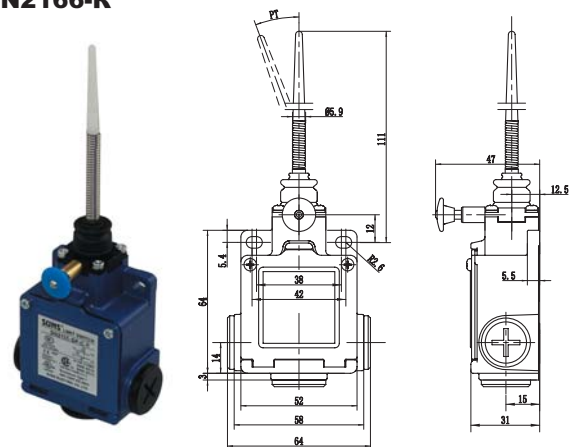
Order Code	Contact block		
SN2118-SP- _R	SP	→	snap action 1NO+1NC
SN2118-SL- _R	SL	→	slow action 1NO+1NC BBM
SN2118-SL1- _R	SL1	→	slow action 1NO+1NC MBB
SN2118-SL2- _R	SL2	→	slow action 2NC

SN2100-R



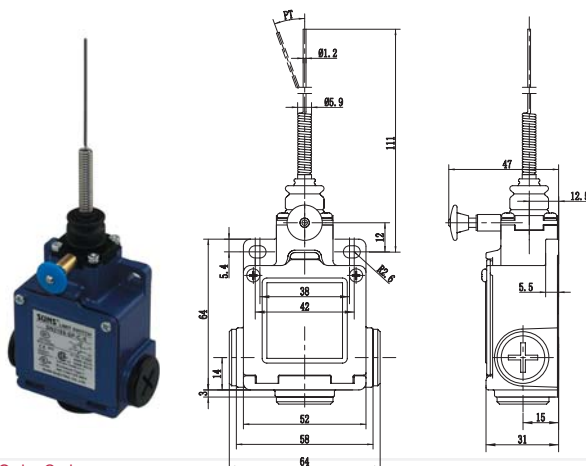
Order Code	Contact block		
SN2100-SP- _R	SP		snap action 1NO+1NC

SN2166-R



Order Code	Contact block		
SN2166-SP- _R	SP		snap action 1NO+1NC

SN2169-R



Order Code	Contact block		
SN2169-SP- _R	SP		snap action 1NO+1NC