

# SN1 Series Compact Precision Limit Switch

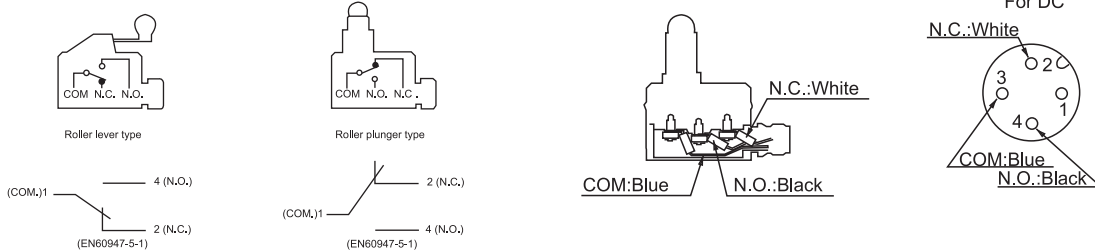
## Features:

- Robust metal enclosure design
- Compact, space-saving and tightly gang mounting possible
- Positive opening of NC contacts
- High sealability, oil-resistant/Immersion-proof type
- Long mechanical life of 20 million operations
- High sensitivity. (M.D. =0.1mm)
- Gold plated contact available for low current applications
- M12 connector type available

## Specifications

Operating Speed	0.02mm-0.5m/sec	
Operating Frequency	120 ops/min	
Insulation Resistance	>100MΩ@500V DC	
Contact Resistance	<25mΩ	
Electrical Rating	Standard Load Type (Silver contacts)	5A/250VAC or 5A/30VDC
	Low Current Type (Gold Plated Contacts)	0.1A/250VAC or 0.1A/30VDC
Dielectric Strength	1000VAC for 1 min between current carrying parts 2500VAC for 1 min between non-current carrying parts	
Service Life	Mechanically	2 x 10 <sup>7</sup> (operations)
	Electrically	5 x 10 <sup>5</sup> (operations)
Operating Temperature	-30~+80°C (-22~176°F)	
Humidity	< 98%RH	
Degree of Protection	IP67	

## Wiring Diagram

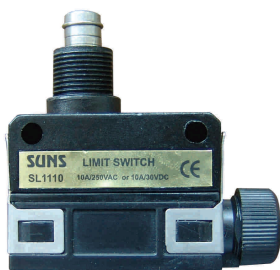


## Definitions of Operating Characteristics

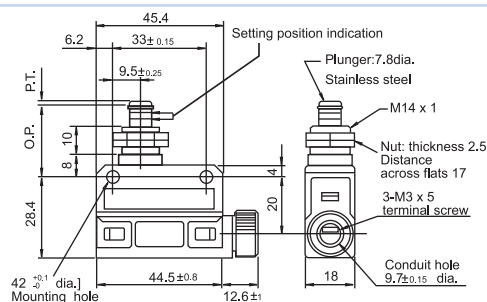
- |    |                 |    |                       |
|----|-----------------|----|-----------------------|
| OF | Operating Force | PT | Pretravel             |
| RF | Releasing Force | MD | Movement Differential |
| OT | Overtravel      | OP | Operating Position    |
| TT | Total Travel    |    |                       |

## Dimensions

Unit:mm



**SN1110**




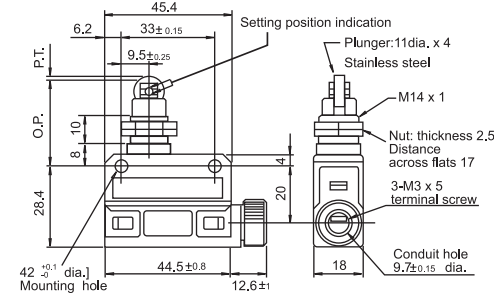
### Operating Characteristics

- OF<sub>max</sub> 11.8N
- RF<sub>min</sub> 4.9N
- PT<sub>max</sub> 1.5mm
- OT<sub>min</sub> 3 mm
- MD<sub>max</sub> 0.1mm
- OP 25.4±0.8mm

SN1 Series Compact Precision Limit Switch



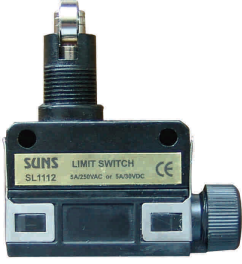


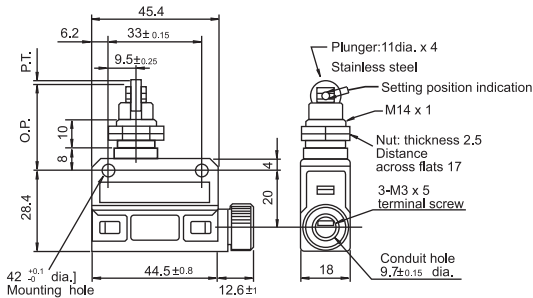


**Operating Characteristics**

- OF<sub>max</sub> 11.8N
- RF<sub>min</sub> 4.9N
- PT<sub>max</sub> 1.5mm
- OT<sub>min</sub> 3 mm
- MD<sub>max</sub> 0.1mm
- OP 31.4±0.8mm

**SN1111**




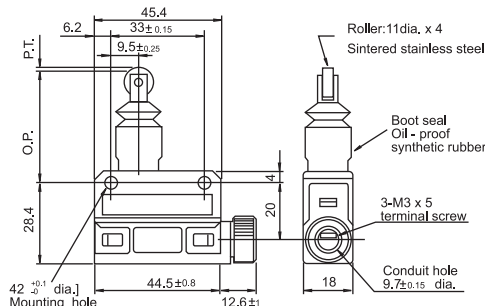


**Operating Characteristics**

- OF<sub>max</sub> 11.8N
- RF<sub>min</sub> 4.9N
- PT<sub>max</sub> 1.5mm
- OT<sub>min</sub> 3 mm
- MD<sub>max</sub> 0.1mm
- OP 31.4±0.8mm

**SN1112**

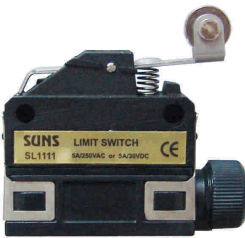


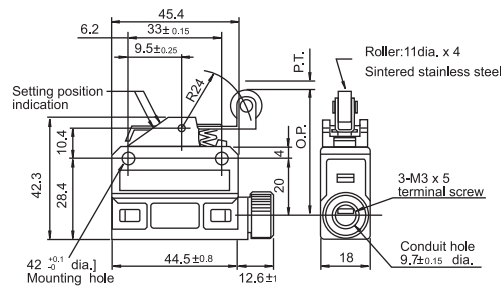


**Operating Characteristics**

- OF<sub>max</sub> 11.8N
- RF<sub>min</sub> 4.9N
- PT<sub>max</sub> 1.5mm
- OT<sub>min</sub> 3 mm
- MD<sub>max</sub> 0.1mm
- OP 41.4±0.8mm

**SN1121**





**Operating Characteristics**

- OF<sub>max</sub> 4.0 N
- RF<sub>min</sub> 0.78 N
- PT<sub>max</sub> 2 mm
- OT<sub>min</sub> 4 mm
- MD<sub>max</sub> 0.3 mm
- OP 23.1±0.8mm

**SN1141**