

COMPACT LIMIT SWITCHES: AZ-8 SERIES



Features

- Designed for applications of small mounting space
- Constructed with Metal based and plastic cover
- Wide range of actuators available
- Pre-molded flexible cable gland for fast and simple wiring termination
- Positive Opening of NC contacts
- Improved current carrying capacity to 10A

Specifications


Operating Speed	0.05mm-2m/sec
Operating Frequency	Mechanical: 120ops/min Electrical: 30 ops/min
Insulation Resistance	>100MΩ@500V DC
Contact Resistance	<25mΩ
Rated Voltage/Current	10A/250VAC (EN60947-5-1)
Dielectric Strength	1000VAC for 1 min between current carrying parts 2000VAC for 1 min between non-current carrying parts
Service Life	Mechanically 1.0 x10 ⁷ (operations) Electrically 5 x10 ⁵ (operations)
Operating Temperature	-10~+80°C (14~176°F)
Humidity	< 95%RH
Degree of Protection	IP64

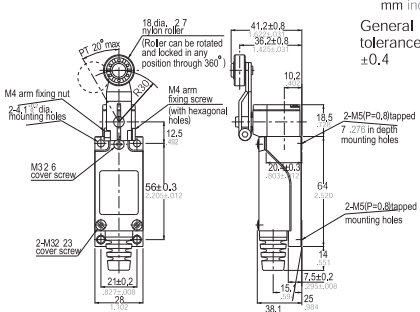
Definitions of Operating Characteristics

- | | | | |
|----|-----------------|----|----------------------------|
| OF | Operating Force | PT | Pretravel |
| RF | Releasing Force | MD | Movement Differential |
| OT | Overtravel | OP | Operating Position |
| TT | Total Travel | PO | Travel to Positive Opening |

Dimensions

Unit:mm

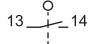




mm inch
General tolerance: ±0.4

Operating Characteristics


Snap Action

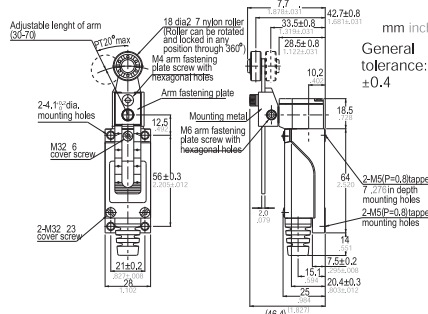


13 14
21 22

- OF_{max} 7.35N-cm
- RF_{min} 0.98N-cm
- PT_{max} 20°
- OT_{min} 75°
- MD_{max} 12°
- PO_{min} 25°

AZ-8104

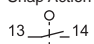




mm inch
General tolerance: ±0.4

Operating Characteristics

Snap Action




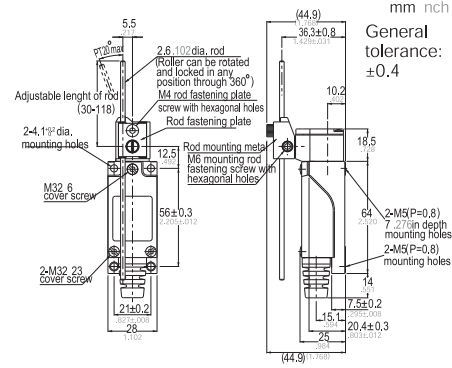
13 14
21 22

- OF_{max} 7.35N-cm
- RF_{min} 0.98N-cm
- PT_{max} 20°
- OT_{min} 75°
- MD_{max} 12°
- PO_{min} 25°

AZ-8108

* Add suffix "M" for metal roller

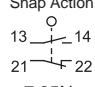




mm inch
General tolerance: ±0.4


Operating Characteristics

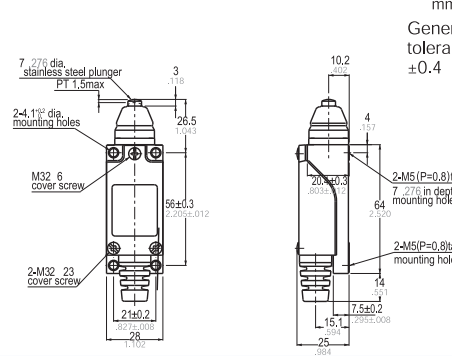
Snap Action



- OF_{max} 7.35N-cm
- RF_{min} 0.98N-cm
- PT_{max} 20°
- OT_{min} 75°
- MD_{max} 12°
- PO_{min} 25°

AZ-8107

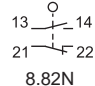




mm inch
General tolerance: ±0.4


Operating Characteristics

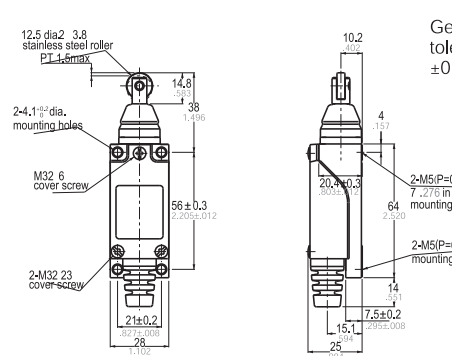
Snap Action



- OF_{max} 8.82N
- RF_{min} 1.47N
- PT_{max} 1.5mm
- OT_{min} 4mm
- MD_{max} 1mm
- OP 26±0.8mm
- PO_{min} 3.0mm

AZ-8111

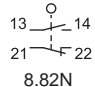




mm inch
General tolerance: ±0.4


Operating Characteristics

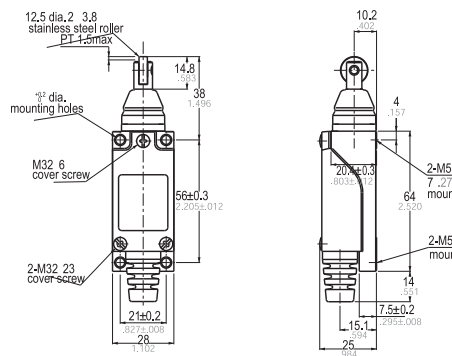
Snap Action



- OF_{max} 8.82N
- RF_{min} 1.47N
- PT_{max} 1.5mm
- OT_{min} 4mm
- MD_{max} 1mm
- OP 37±0.8mm
- PO_{min} 3.0mm

AZ-8112

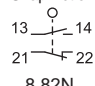




mm inch
General tolerance: ±0.4

Operating Characteristics

Snap Action




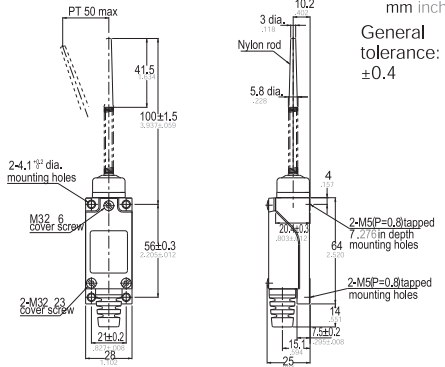
- OF_{max} 8.82N
- RF_{min} 1.47N
- PT_{max} 1.5mm
- OT_{min} 4mm
- MD_{max} 1mm
- OP 37±0.8mm
- PO_{min} 3.0mm

AZ-8122

COMPACT LIMIT SWITCHES: AZ-8 SERIES







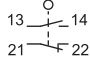
PT 50 max
41.5
100±1.5
2-4.1³⁸ dia. mounting holes
M32 6 cover screw
56±0.3
2-M32 23 cover screw
21±0.2
28
1.102

10.2
3 dia.
Nylon rod
5.8 dia.
4
2-M5(P=0.8) tapped mounting holes
7.27±0.13 depth
64
2-M5(P=0.8) tapped mounting holes
14
15.1
7.5±0.2
25
2.804

mm inch
General tolerance: ±0.4


Operating Characteristics

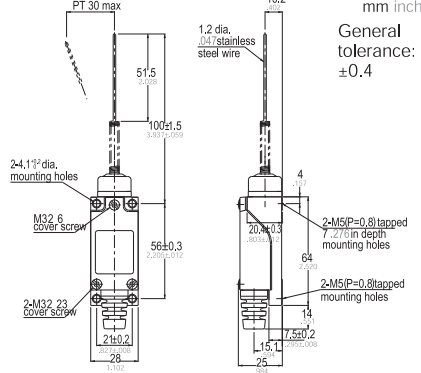
Snap Action



- OF_{max} 1.47N
- PT_{max} 50mm

AZ-8166





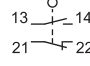
PT 30 max
51.5
100±1.5
2-4.1³⁸ dia. mounting holes
M32 6 cover screw
56±0.3
2-M32 23 cover screw
21±0.2
28
1.102

10.2
1.2 dia.
1/4" stainless steel wire
4
2-M5(P=0.8) tapped mounting holes
7.27±0.13 depth
64
2-M5(P=0.8) tapped mounting holes
14
15.1
7.5±0.2
25
2.804

mm inch
General tolerance: ±0.4


Operating Characteristics

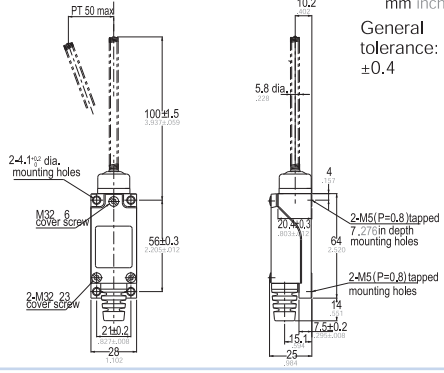
Snap Action



- OF_{max} 1.47N
- PT_{max} 30mm

AZ-8169





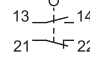
PT 50 max
100±1.5
2-4.1³⁸ dia. mounting holes
M32 6 cover screw
56±0.3
2-M32 23 cover screw
21±0.2
28
1.102

10.2
5.8 dia.
4
2-M5(P=0.8) tapped mounting holes
7.27±0.13 depth
64
2-M5(P=0.8) tapped mounting holes
14
15.1
7.5±0.2
25
2.804

mm inch
General tolerance: ±0.4

Operating Characteristics

Snap Action



- OF_{max} 1.47N
- PT_{max} 30mm

AZ-8200