

Three-Position Safety Foot Switches (FS-61G-SP-S-ZR Single Pedal)

These foot switches are designed for some critical applications such as press brake machine control. These foot switches have at least one of the pedals with 3 positions, with a pressure point, to control dangerous movements.

For press brake control as an example:

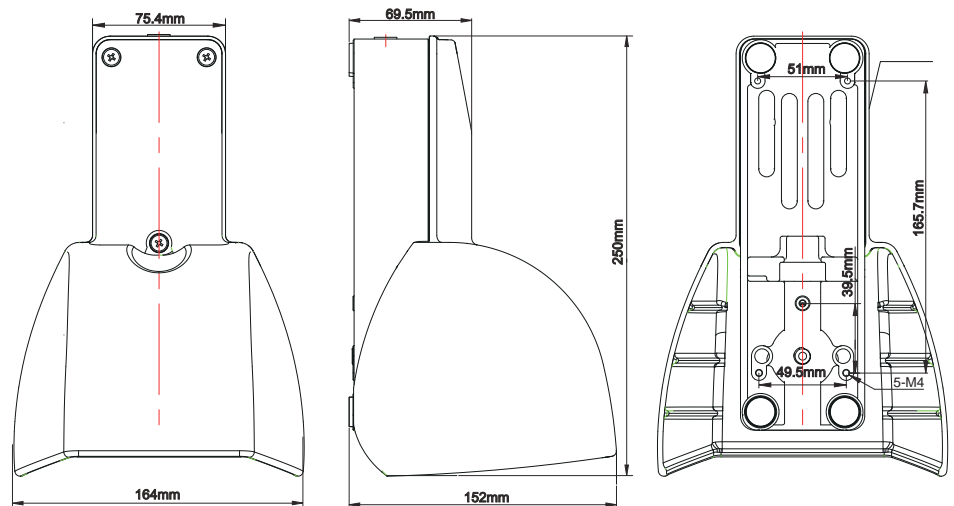
press the pedal to lower down a press brake. It has 4 working contacts (2NC+2NO) to drive the movement and one safety switches (1 positive opening NC contact + 1NO) to stop the movement. Pressing the foot pedal, until the pressure point where resistance is noticeable. This allows the changeover of the 2 working contacts and press is moving downward. When press harder beyond the pressure point, the 2 working contacts return to their first position and the positive opening safety contact is activated as redundant safety circuit in order to initiate immediately the dangerous movement. A restart of the machine is only possible after releasing the foot switch.

Specifications

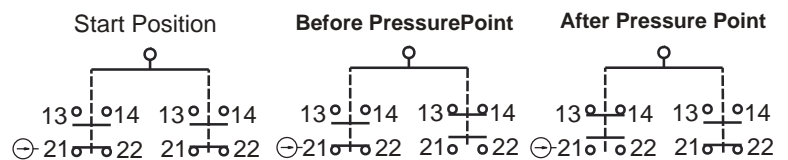
Operating Frequency	60 ops/min
Insulation Resistance	>100MW@500V DC
Contact Resistance	<25mW
Rated Current/Voltage	10A/600V AC A600/AC15 Q300/DC13
Inrush Current	Complies with IEC947-5-1: AC15/DC13
Dielectric Strength	1000VAC for 1 min between current carrying parts 2500VAC for 1 min between non-current carrying parts
Service Life	Mechanically 1 x 10 ⁶ (operations) Electrically 5 x 10 ⁵ (operations)
Operating Temperature	-30~+80°C (-22~176°F)
Degree of Protection	IP65, NEMA type 2, 4, 13 (IP68, NEMA type 6, 6P available on request)



Dimensions (mm)



Actuation Sequence Diagram:



Three-Position Safety Foot Switches (FS-62G-SP-1S-ZR Two Pedal)

These foot switches are designed for critical applications such as press brake machine control. The safety pedal has three positions with a pressure point to control hazardous movement. Four working contacts (2NC+2NO) handle normal operation and one safety switch (1 positive opening NC contact + 1NO) provides emergency stop control.

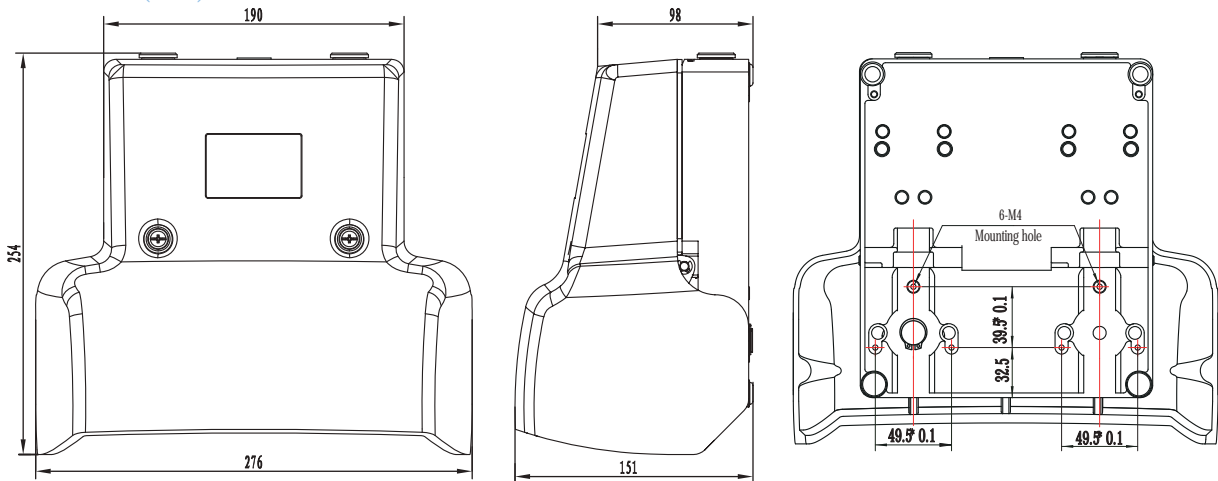
For example, when normal force is applied, the working contacts switch and the press moves downward. Additional force beyond the pressure point will cause the working contacts to return to their initial position and activate the positive opening safety contact. This redundant safety circuit will prevent any further hazardous movement.



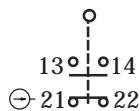
Specifications

Operating Frequency	60 ops/min
Insulation Resistance	>100MΩ@500V DC
Contact Resistance	<25mΩ
Rated Current/Voltage	10A/600V AC A600/AC15 Q300/DC13
Inrush Current	Complies with IEC947-5-1: AC15/DC13
Dielectric Strength	1000VAC for 1 min between current carrying parts 2500VAC for 1 min between non-current carrying parts
Service Life	Mechanically 1 x 10 ⁶ (operations) Electrically 5 x 10 ⁵ (operations)
Operating Temperature	-30~+80°C (-22~176°F)
Degree of Protection	IP65, NEMA type 2, 4, 13 (IP68, NEMA type 6, 6P available on request)

Dimensions (mm)



Left Pedal



Actuation Sequence Diagram (Right Pedal Only)

