

CSD/CSN/CS Series Control Stations



CSD



CSN



CS

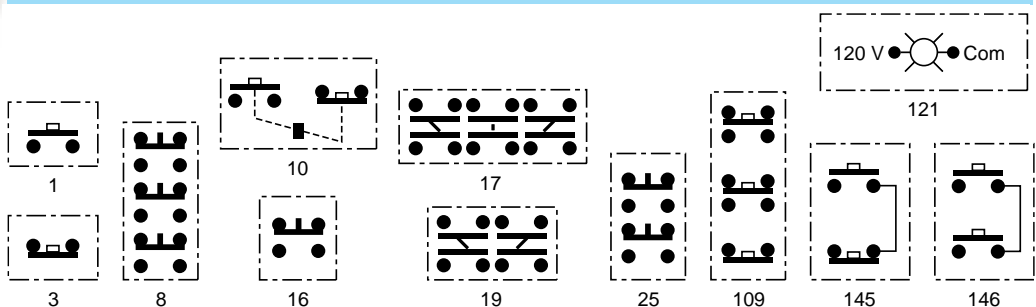
Control Stations

No. of Buttons	Nameplate Markings and Features	Contact Symbol	Surface Mounting NEMA 1 IP40	Watertight and Dusttight NEMA 4 IP65	Stainless Steel Flush Plate IP20
1	Start	1	CSD101	CSN101	CS110 (01)
	Stop	3	CSD102	CSN102	CS101 (02)
	Stop (Mushroom Button)	3	CSD103	CSN103	
	Stop (Lockout)	3	CSD104	CSN104	
	Universal (w/o legend insert)	16	CSD107	CSN107	CS110 (07)
	Off-On (Selector Switch)	19	CSD111		
	Hand-Off-Auto (Selector Switch)	17	CSD112		
	Universal Selector Switch (w/o legend insert)	19 or 17	CSD114		
	2	Start-Stop	145	CSD201	CSN201
Start-Stop (for latching Applications)		146	CSD202	CSN202	
Start-Stop (Mushroom on Stop)		145	CSD203	CSN203	
Start-Stop (Lockout on Stop)		145	CSD204	CSN204	
Start-Stop (Mushroom on both)		145	CSD205	CSN205	
Forward-Reverse		146	CSD206	CSN206	CS220-C (06)
Open-Close		146	CSD207	CSN207	CS220-C (07)
Up-Down		146	CSD208	CSN208	CS220-C (08)
Raise-Lower		146	CSD209	CSN209	CS220-C (09)
On-Off		145	CSD210	CSN210	CS220-C (10)
On-Off		146	CSD211	CSN211	CS220-C (11)
Universal (w/o legend inserts)		25	CSD214	CSN214	CS222 (14)
Start-Stop (Maintained Contact)		10	CSD215	CSN215	CS211-M-L (15)
On -Off (Maintained Contact)		10	CSD216	CSN216	CS211-M-L (16)
Universal (Maintained contact w/o legend inserts)		10	CSD218	CSN218	CS211-M-L (18)
3	Fast-Slow-Stop	109	CSD301		
	Forward-Reverse-Stop	109	CSD302		
	Open-Close-Stop	109	CSD303		
	Raise-Lower-Stop	109	CSD304		
	Up-Down-Stop	109	CSD305		
	Start-Jog-Stop	109	CSD316		
	Universal (w/o legend inserts)	8	CSD307		
	Start-Stop, Red Pilot Light: 120Vac/dc	145 & 121	CSD308		

Electrical Contact Ratings

(OSHA Regulation, Section 1910.70, Overhead and Gantry Cranes, limits the voltage of pendant push buttons to 150 Vac or 300 Vdc.)

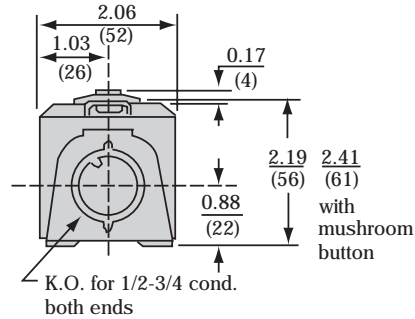
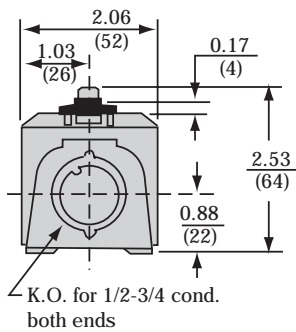
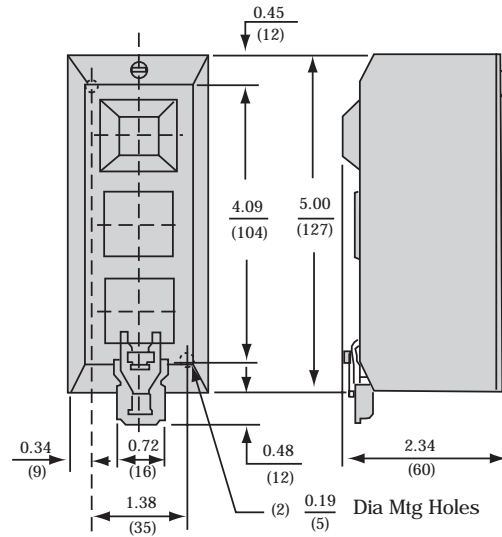
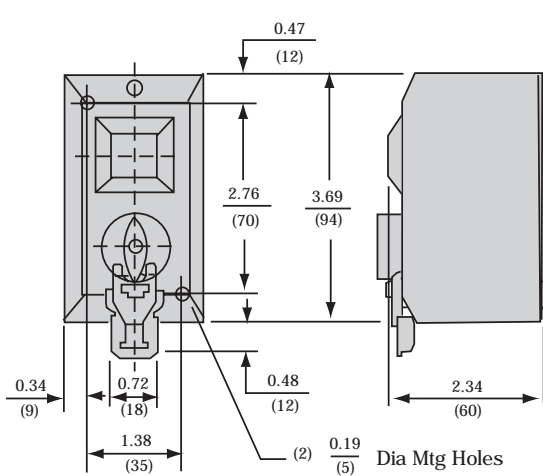
Volts	AC NEMA600						Volts	DC NEMAP600	
	Inductive 35% Power Factor				Continuous Carrying Amperes	Resistive 75% Power Factor		Inductive and Resistive	
	Make		Break					Make and Break Amperes	Continuous Carrying Amperes
	A	VA	A	VA					
120	60	7200	6	720	10	10	120	1.1	5
240	30	7200	3	720	10	10	240	0.55	5
480	15	7200	1.5	720	10	10	600	0.2	5
600	12	7200	1.2	720	10	10			



CSD/CSN/CS Series Control Stations

Dimensions

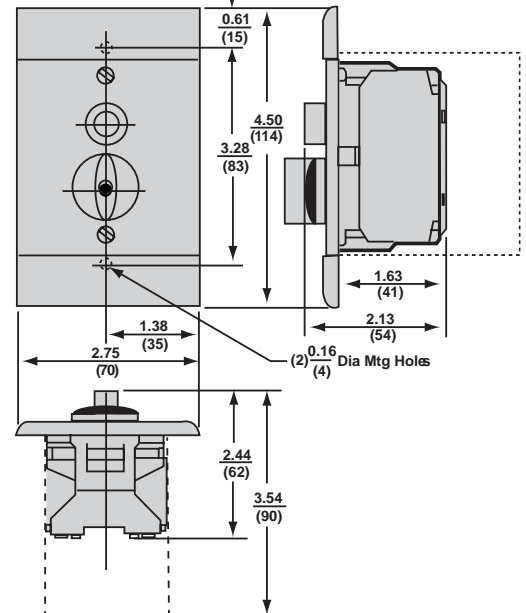
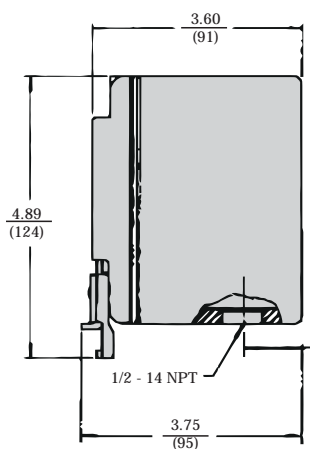
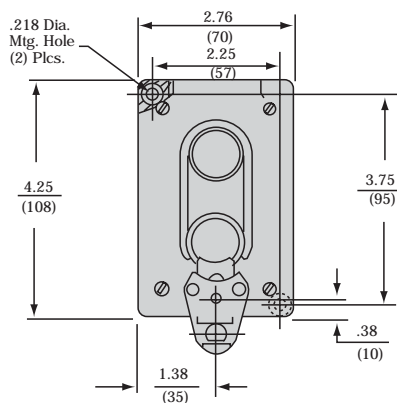
Surface Mount Type CSD, Glass Filled Polyester Cover



Watertight & Dusttight Type CSN

Cast Zinc Enclosure

Flush Mount Type CS Stainless Steel



Dual Dimensions: **Inches**
mm