

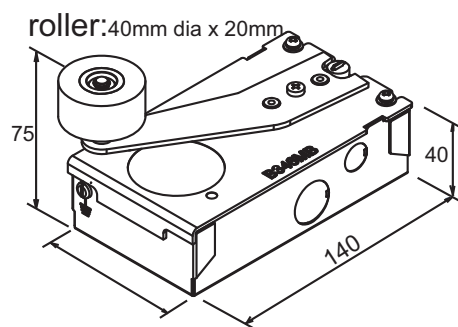
## 6098 LIMIT SWITCHES FOR ELEVATOR APPLICATIONS

### Features

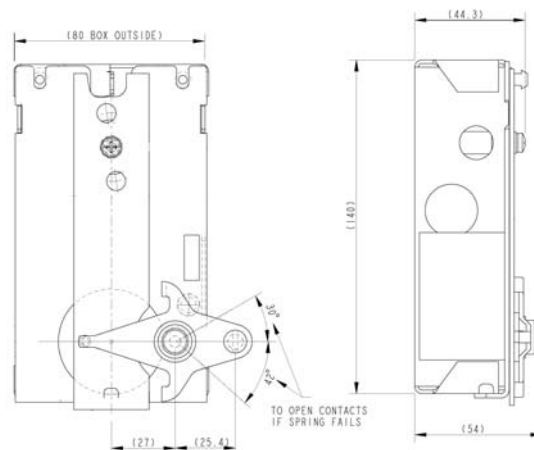
- Zinc plated steel enclosure
- Transparent cover for checking adjusting contacts
- 40mm big rubber roller for quite operation
- Super large contacts with self-clean function for maintenance free operation
- Available in 1NO, 1NC, 2NO, 2NC contact
- Tripper style for safety application



### Dimensions: (mm)



6098NM



6098NR

### Available Styles:

Part Number	Contact Type:	Lever Position
6098NM1	1NC	As Shown on Drawing Above
6098NM2	1NC	Opposite
6098NM3	2NC	As Shown on Drawing Above
6098NM4	2NC	Opposite
6098NM8	1NO	As Shown on Drawing Above
6098NM9	1NO	Opposite
6098NM10	2NO	As Shown on Drawing Above
6098NM11	2NO	Opposite
6098NR1	1NC	As Shown on Drawing Above
6098NR2	1NC	Opposite
6098NR3	2NC	As Shown on Drawing Above
6098NR4	2NC	Opposite